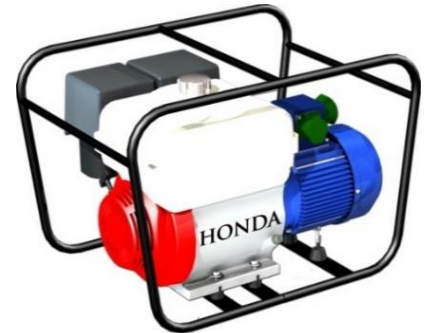


ViPock®

produced by hervisa perles®

Ersatzteil-Liste Liste des pièces détachées



ViPock GmbH

Krummgasse 8f, 5623 Boswil

079 588 47 07

www.vipock.ch | info@vipock.ch

Inhaltsverzeichnis

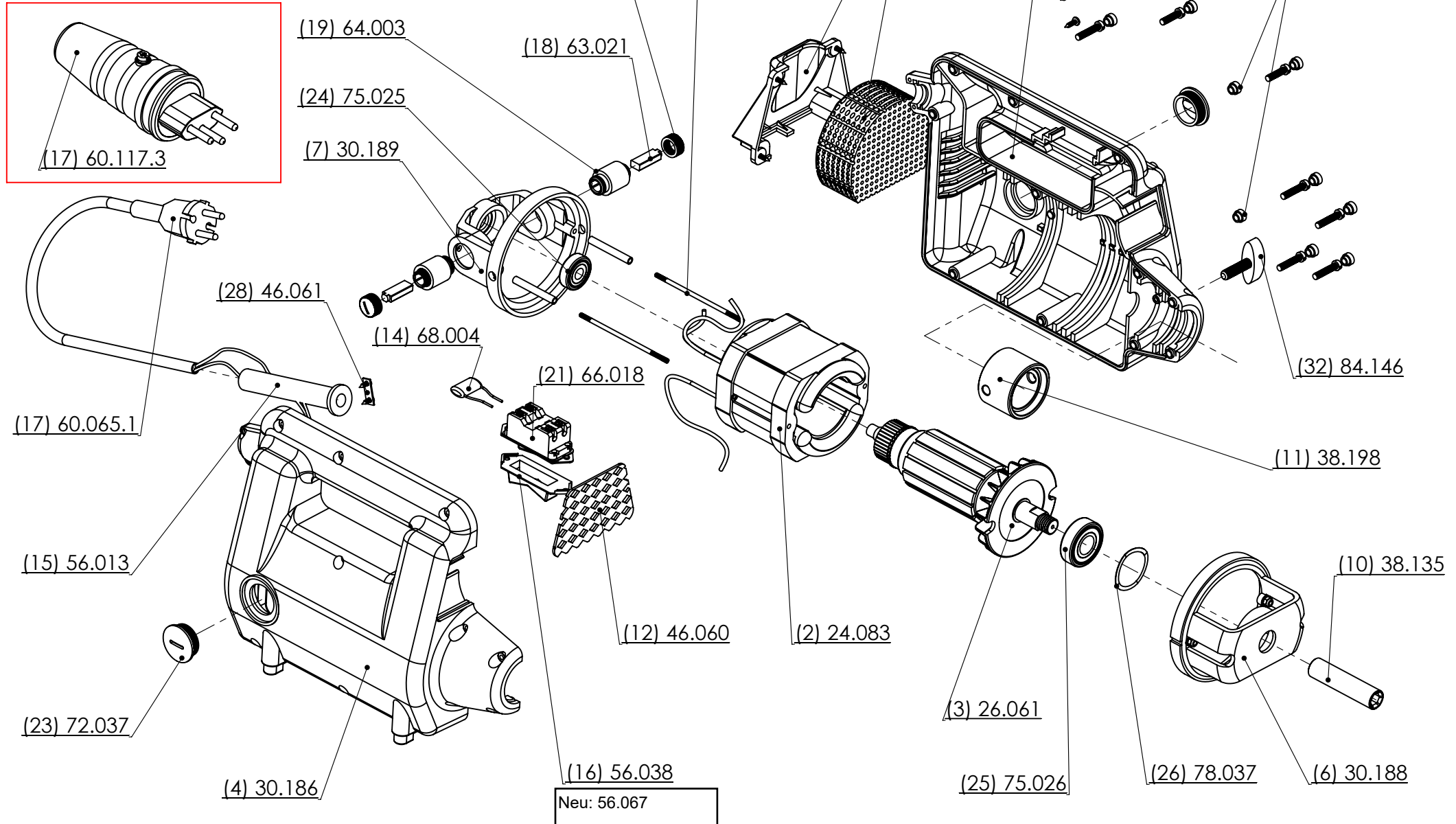
1. Universal-Motor mit flexibler Welle	
VMP - Motor	3
MP - mechanische Vibriernadeln	4 - 7
2. Hochfrequenz-Vibriernadeln (42V – 200Hz)	
VP - Serie	8 - 11
VPN - TURBO-Serie	12 - 13
ERGO - Serie	14
3. Frequenz-Umformer (230-400V, Benzin)	
CF - Serie	15 - 17
E-POWER - Serie	18 - 21
GF - Serie	22 - 23
4. Elektronische Vibriernadeln (230V)	
RUNNER - PLUS - Serie	24
T-RUNNER - PLUS - Serie	25 - 26
5. Vibrierbalken (230V, Benzin)	
ZEUS – Serie (SVE)	27
JUPITER II – Serie	28
RvH 200 - Serie	29

ViPock®

produced by hervisa perles®

Spare parts VMP/CE - VMP/T12

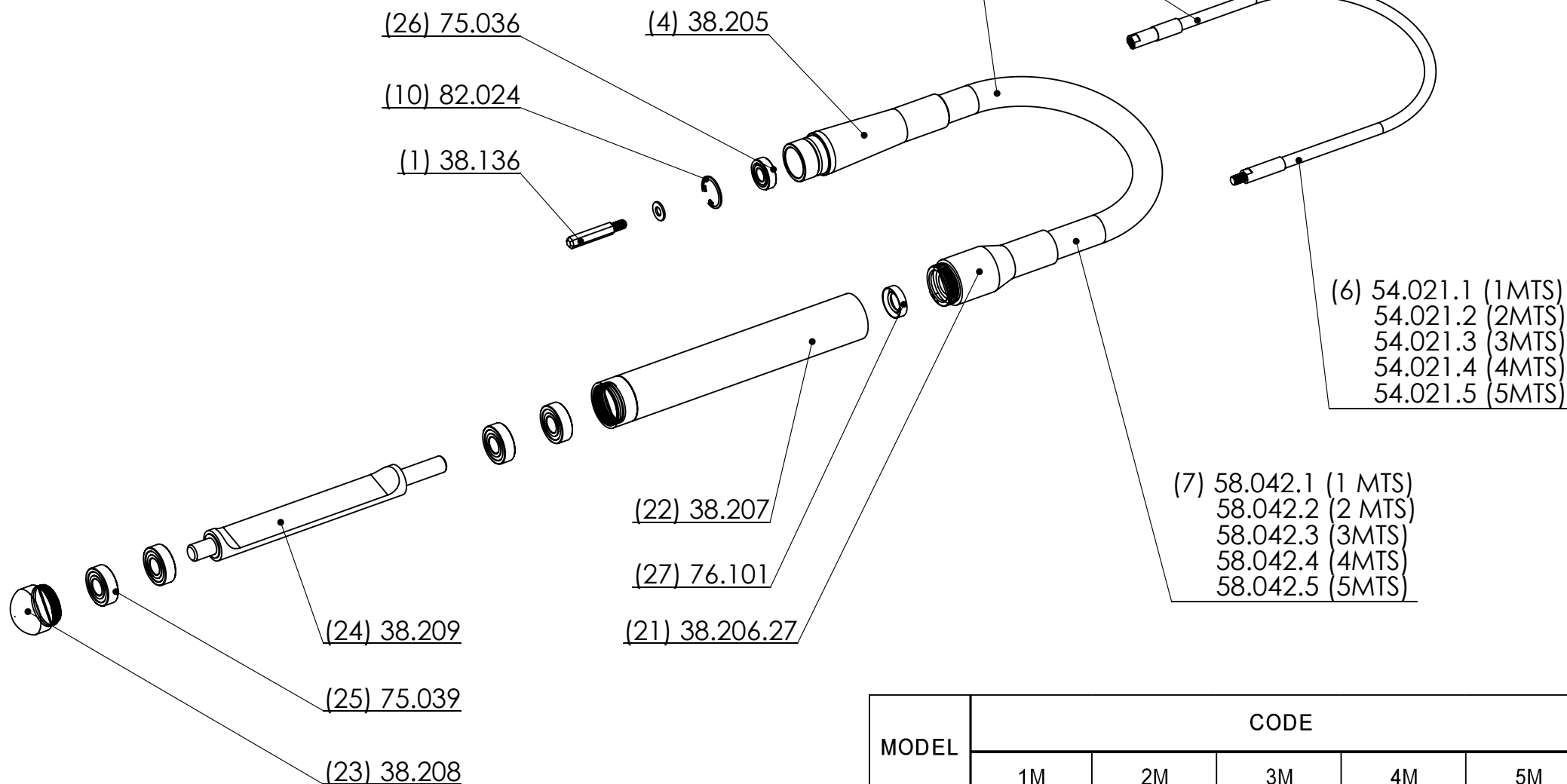
Ref.- VIP10.120 - VIP10.118



ViPock®

produced by hervisa perles®

Spare Parts MP28 Ref.- VIP10.068

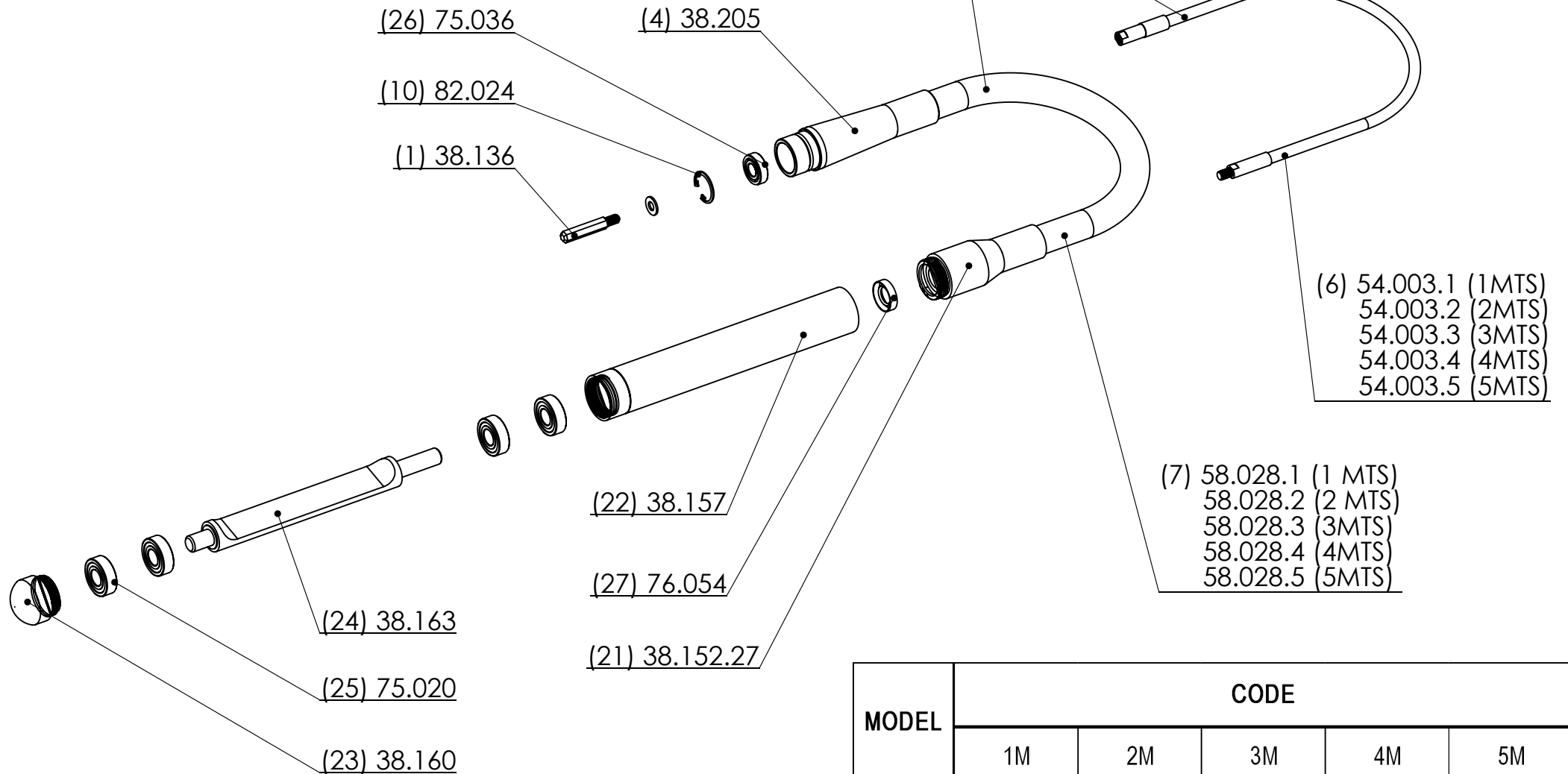


MODEL	CODE				
	1M	2M	3M	4M	5M
MP 28	VIP10.068.1	VIP10.068.2	VIP10.068.3	VIP10.068.4	VIP10.068.5

ViPock®

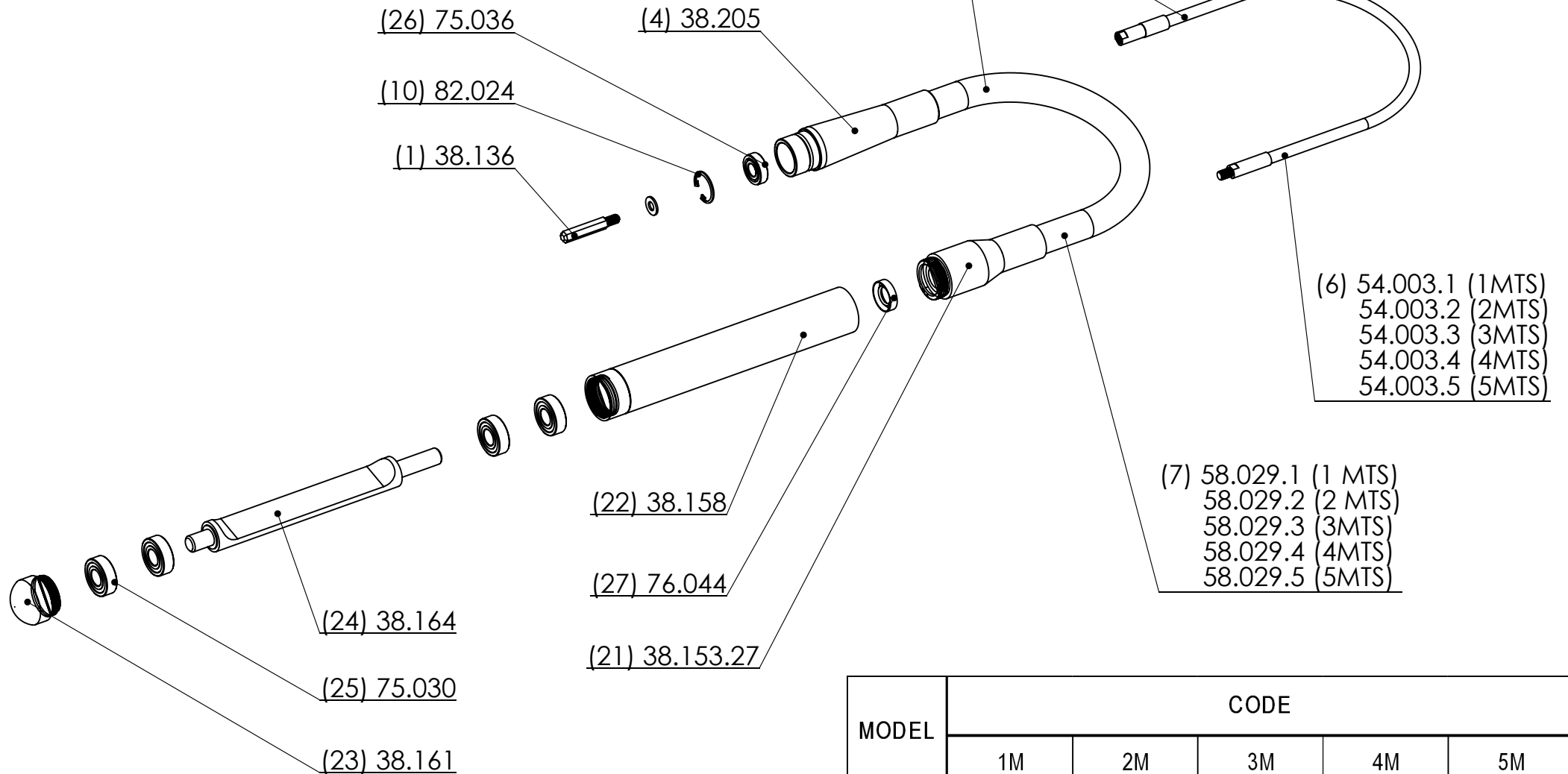
produced by hervisa perles®

Spare Parts MP35 Ref.- VIP10.051



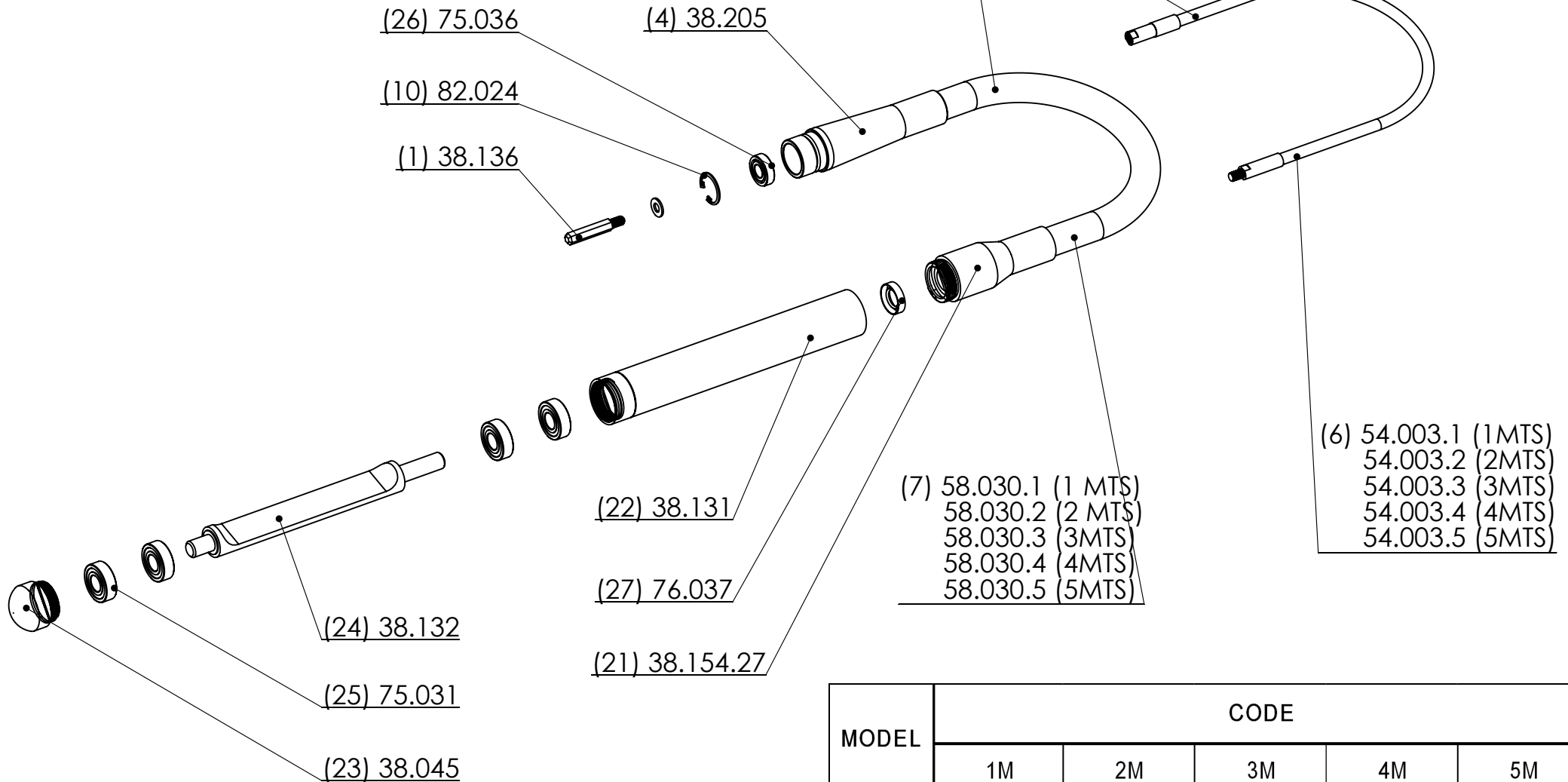
MODEL	CODE				
	1M	2M	3M	4M	5M
MP 35	VIP10.051.1	VIP10.051.2	VIP10.051.3	VIP10.051.4	VIP10.051.5

Spare Parts MP42 Ref.- VIP10.052



MODEL	CODE				
	1M	2M	3M	4M	5M
MP42	VIP10.052.1	VIP10.052.2	VIP10.052.3	VIP10.052.4	VIP10.052.5

Spare Parts MP50 Ref.- VIP10.053

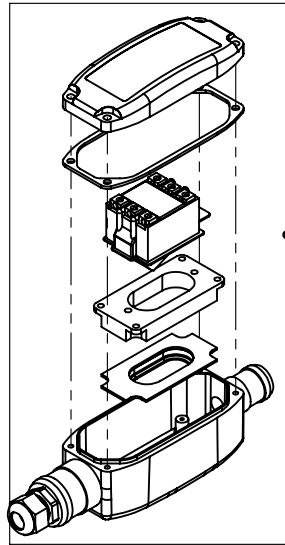


MODEL	CODE				
	1M	2M	3M	4M	5M
MP 50	VIP10.053.1	VIP10.053.2	VIP10.053.3	VIP10.053.4	VIP10.053.5

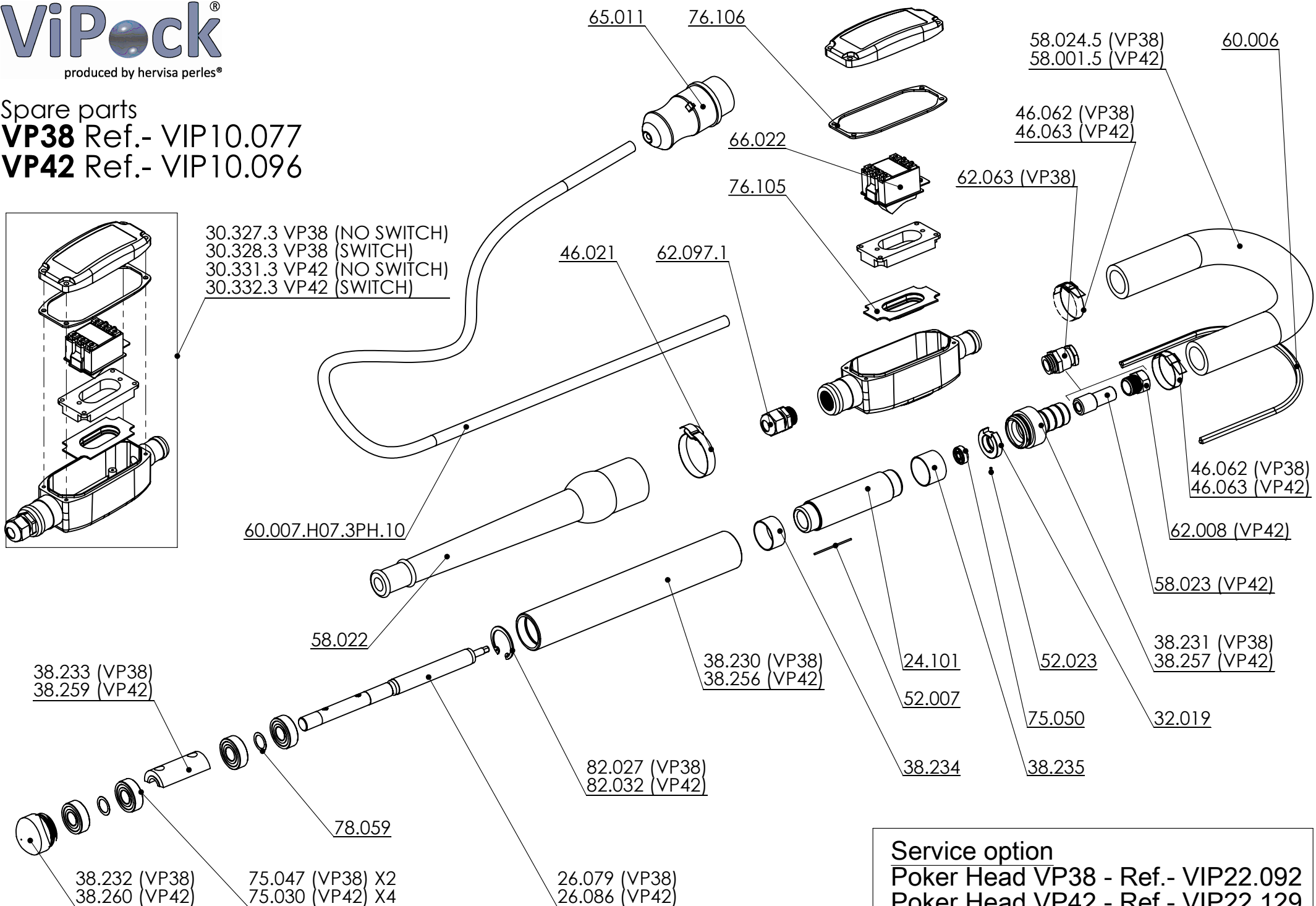
Spare parts

VP38 Ref.- VIP10.077

VP42 Ref.- VIP10.096



30.327.3 VP38 (NO SWITCH)
 30.328.3 VP38 (SWITCH)
 30.331.3 VP42 (NO SWITCH)
 30.332.3 VP42 (SWITCH)

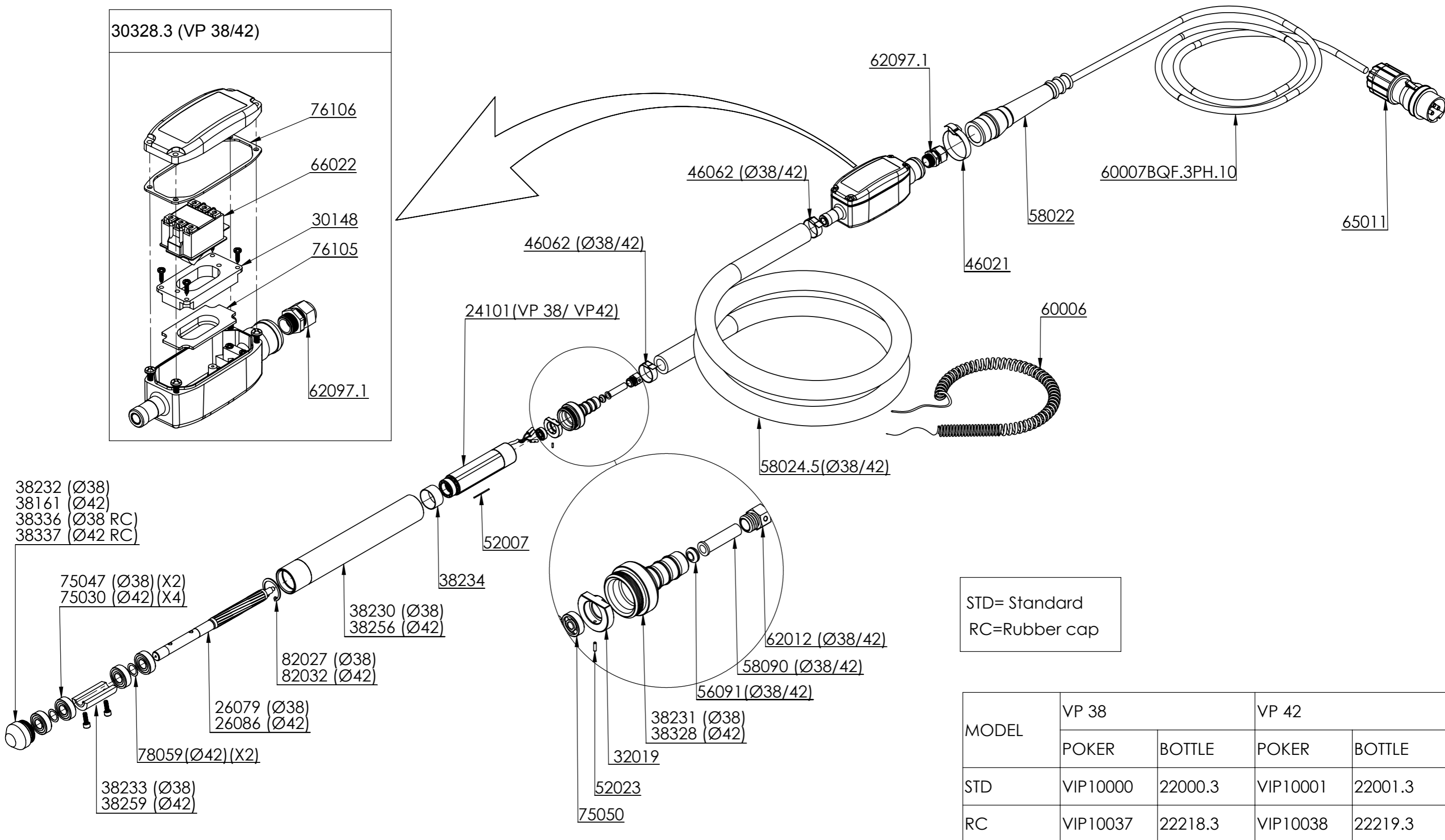


Service option
 Poker Head VP38 - Ref.- VIP22.092
 Poker Head VP42 - Ref.- VIP22.129

NEU ab 2024

VP 38 / VP 42 (42V)

Spare parts



STD= Standard
RC=Rubber cap

MODEL	VP 38		VP 42	
	POKER	BOTTLE	POKER	BOTTLE
STD	VIP10000	22000.3	VIP10001	22001.3
RC	VIP10037	22218.3	VIP10038	22219.3

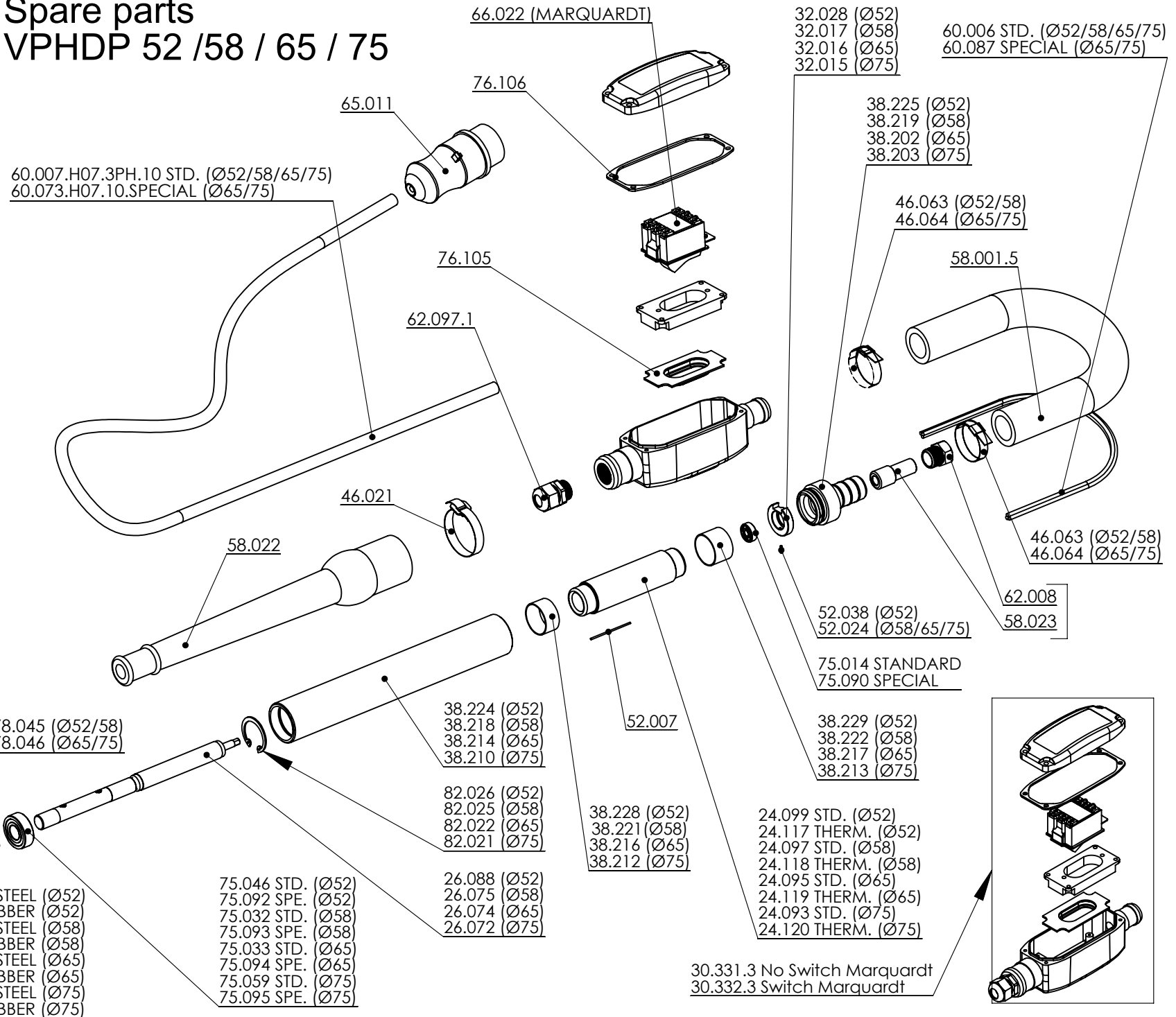
Spare parts VPHDP 52 / 58 / 65 / 75

Pockets

VPHDP 52	VIP10.204
VPHDP 52 RH	VIP10.220
VPHDPT 52	VIP10.212
VPHDP 58	VIP10.205
VPHDP 58 RH	VIP10.221
VPHDPT 58	VIP10.213
VPHDP 65	VIP10.206
VPHDP 65 RH	VIP10.222
VPHDPT 65	VIP10.214
VPHDP 75	VIP10.207
VPHDP 75 RH	VIP10.223

Bottles

VPHDP 52	VIP22.121
VPHDP 52 RH	VIP22.151
VPHDPT 52	VIP22.138
VPHDP 58	VIP22.122
VPHDP 58 RH	VIP22.152
VPHDPT 58	VIP22.139
VPHDP 65	VIP22.123
VPHDP 65 RH	VIP22.153
VPHDPT 65	VIP22.140
VPHDP 75	VIP22.124
VPHDP 75 RH	VIP22.154



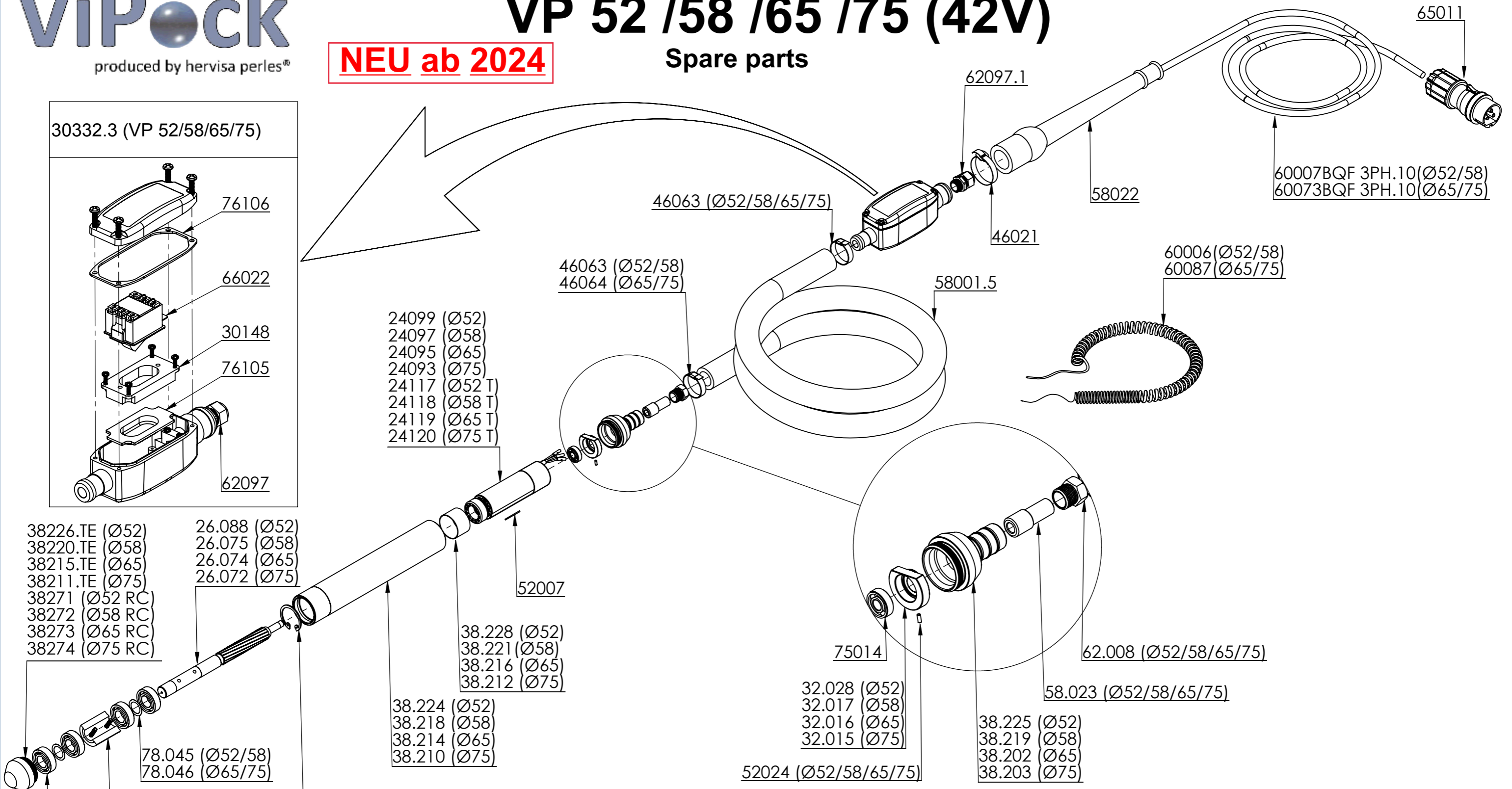
- 38.227 (Ø52)
- 38.177 (Ø58)
- 38.182 (Ø65)
- 38.135 (Ø75)

- 38.226.TE STEEL (Ø52)
- 38.271 RUBBER (Ø52)
- 38.220.TE STEEL (Ø58)
- 38.272 RUBBER (Ø58)
- 38.215.TE STEEL (Ø65)
- 38.273 RUBBER (Ø65)
- 38.211.TE STEEL (Ø75)
- 38.274 RUBBER (Ø75)

VP 52 /58 /65 /75 (42V)

NEU ab 2024

Spare parts



STD= Standard
RC= Rubber cap
T= Thermal
TE= Tempered

MODEL	VP 52		VP 58		VP 65		VP 75	
	POKER	BOTTLE	POKER	BOTTLE	POKER	BOTTLE	POKER	BOTTLE
STD	VIP10002	22002.3	VIP10003	22003.3	VIP10004	22004.3	VIP10005	22005.3
RC	VIP10006	22006.3	VIP10007	22007.3	VIP10008	22008.3	VIP10009	22009.3
T	VIP10010	22010.3	VIP10011	22011.3	VIP10012	22012.3	VIP10013	22013.3

ViPock® Spare parts TURBO

produced by hervisa perles®

VERSION	POKER COMPLETE - MODEL					
	TURBO 38	TURBO 42	TURBO52	TURBO58	TURBO65	TURBO75
STD.	10.298	10.299	10.257	10.258	10.259	10.260
STD + RC			10.261	10.262	10.263	10.264
STD + T			10.290	10.291	10.292	10.293
STD + RCT			10.294	10.295	10.296	10.297

VERSION	POKER HEAD - MODEL					
	TURBO 38	TURBO 42	TURBO52	TURBO58	TURBO65	TURBO75
STD.	22.484	22.485	22.440	22.441	22.442	22.443
STD + RC			22.444	22.445	22.446	22.447
STD + T			22.448	22.449	22.450	22.451
STD + RCT			22.452	22.453	22.454	22.455

STD = Standard T = Thermal
RC = Rubber cap TE = Tempered RCT = Rubber cap + Thermal

(Connection cable)
60.007.BQF.3PH.10 (TURBO38/42/52/58)
60.073.BQF.3PH.10 (TURBO65/75)

(Cylinder cap nut)
38.232 (Turbo38)
38.161 (Turbo42)
38.226TE (Turbo52)
38.271RC (Turbo52)
38.220TE (Turbo58)
38.272RC (Turbo58)
38.215TE (Turbo65)
38.273RC (Turbo65)
38.211TE (Turbo75)
38.274RC (Turbo75)

(Seeger)
82.027 (Turbo38)
82.032 (Turbo42)
82.026 (Turbo52)
82.025 (Turbo58)
82.022 (Turbo65)
82.021 (Turbo75)

(Friction washer)
78.059 (Turbo42)
78.045 (Turbo52/58)
78.046 (Turbo65/75)

(Ball bearing)
75.047 (Turbo38)
75.030 (Turbo42)
75.092 (Turbo52)
75.093 (Turbo58)
75.094 (Turbo65)
75.095 (Turbo75)

(Eccentric)
38.429 (Turbo38)
38.431 (Turbo42)
38.304 (Turbo52)
38.305 (Turbo58)
38.306 (Turbo65)
38.307 (Turbo75)

(Seeger)
82.027 (Turbo38)
82.032 (Turbo42)
82.026 (Turbo52)
82.025 (Turbo58)
82.022 (Turbo65)
82.021 (Turbo75)

(Rotor motor)
26.106 (Turbo38)
26.107 (Turbo42)
26.098 (Turbo52)
26.099 (Turbo58)
26.100 (Turbo65)
26.101 (Turbo75)

(Cylinder motor)
38.428 (Turbo38)
38.430 (Turbo42)
38.308 (Turbo52)
38.309 (Turbo58)
38.310 (Turbo65)
38.311 (Turbo75)

(Distance collar)
38.234 (Turbo38/42)
38.228 (Turbo52)
38.221 (Turbo58)
38.216 (Turbo65)
38.212 (Turbo75)

(Stator cylinder pin)
52.007

(Stator motor)
24.149 STD (Turbo38/42)
24.131 STD (Turbo52)
24.138 THERMAL (Turbo52)
24.132 STD (Turbo58)
24.139 THERMAL (Turbo58)
24.133 STD (Turbo65)
24.140 THERMAL (Turbo65)
24.134 STD (Turbo75)
24.141 THERMAL (Turbo75)

(Packing seal)
62.097.1 (TURBO38/42/52/58)
62.097 (TURBO65/75)

(Staple Clamp)
46.021

(Rubber sleeve)
58.022

(Switch housing seal)
76.106

(Plug)
65.011

(Switch)
66.022

(Switch seal)
76.105

(Staple Clamp)
46.062 (Turbo38)
46.064 (Turbo42/52/58/65/75)

(Rubber hose)
58.024.5 (Turbo38)
58.001.5 (Turbo42/52/58/65/75)

(Interior connection)
60.006 (TURBO38/42/52/58)
60.087 (TURBO65/75)

62.063
(Turbo38)

62.008 (Nut seal packing)
(Turbo42/52/58/65/75)

58.023 (Rubber seal packing)
(Turbo 42/52/58/65/75)

(Bearing support)
32.019 (Turbo38/42)
32.028 (Turbo52)
32.017 (Turbo58)
32.016 (Turbo65)
32.015 (Turbo75)

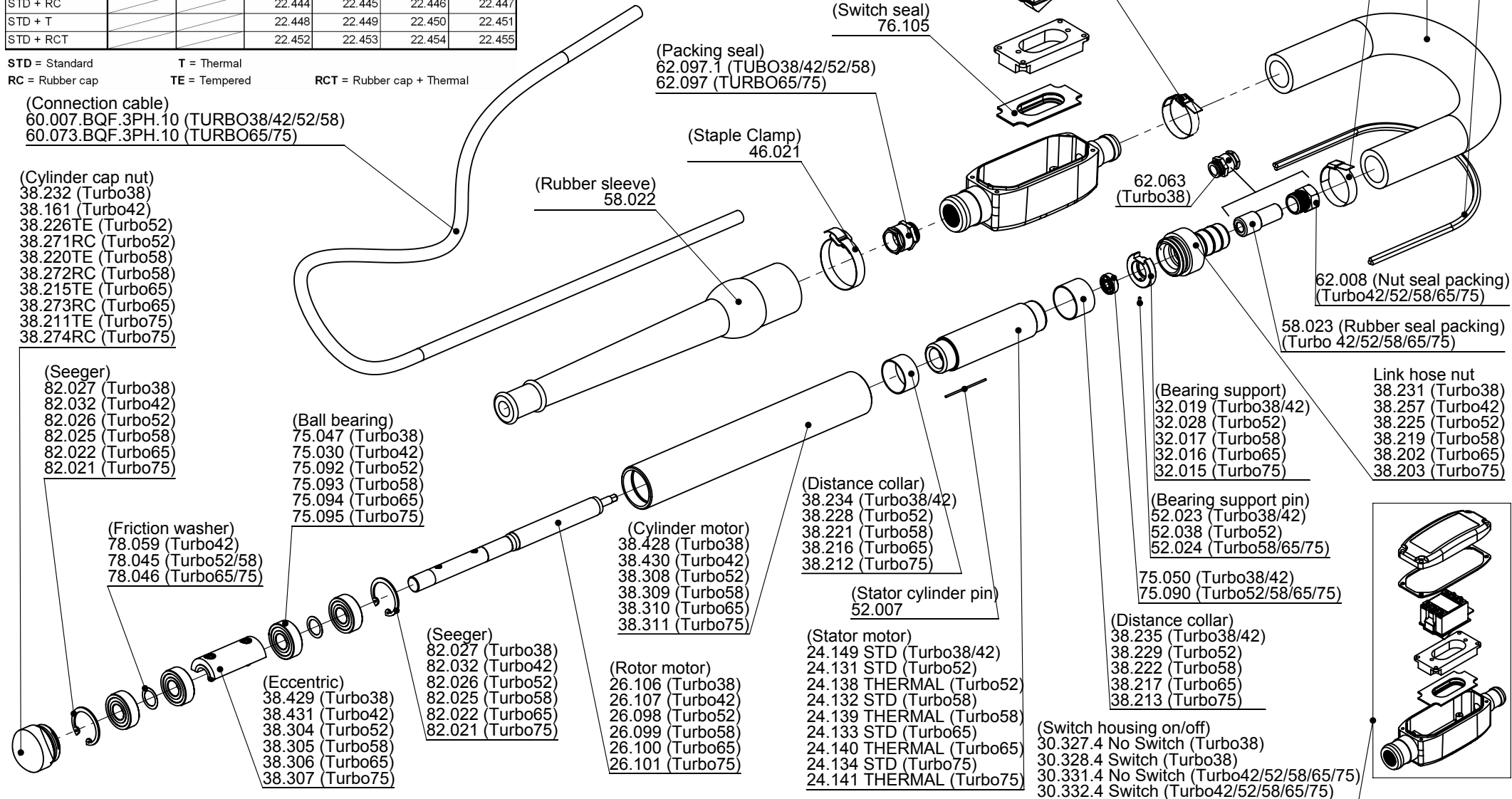
(Bearing support pin)
52.023 (Turbo38/42)
52.038 (Turbo52)
52.024 (Turbo58/65/75)

75.050 (Turbo38/42)
75.090 (Turbo52/58/65/75)

(Distance collar)
38.235 (Turbo38/42)
38.229 (Turbo52)
38.222 (Turbo58)
38.217 (Turbo65)
38.213 (Turbo75)

(Switch housing on/off)
30.327.4 No Switch (Turbo38)
30.328.4 Switch (Turbo38)
30.331.4 No Switch (Turbo42/52/58/65/75)
30.332.4 Switch (Turbo42/52/58/65/75)

Link hose nut
38.231 (Turbo38)
38.257 (Turbo42)
38.225 (Turbo52)
38.219 (Turbo58)
38.202 (Turbo65)
38.203 (Turbo75)

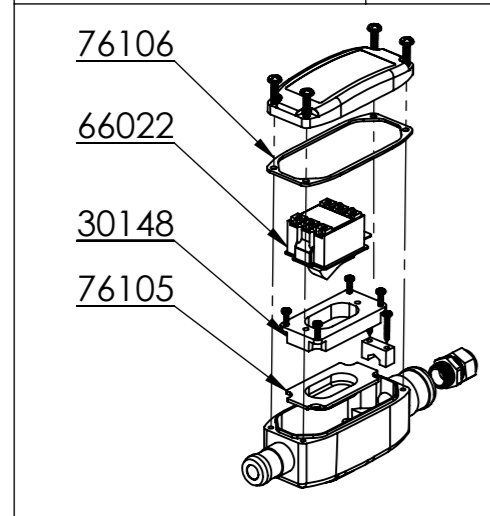


TURBO VPN 38 /42 /52 /58 /65 /75 (42V)

NEU ab 2024

Spare parts

MODEL	CODE
TURBO VPN 38/42	30328.3
TURBO VPN 52/58/65/75	30332.3



- 38232 (Ø38)
- 38161 (Ø42)
- 38226.TE (Ø52)
- 38220.TE (Ø58)
- 38215.TE (Ø65)
- 38211.TE (Ø75)
- 38336 (Ø38 RC)
- 38337 (Ø42 RC)
- 38271 (Ø52 RC)
- 38272 (Ø58 RC)
- 38273 (Ø65 RC)
- 38274 (Ø75 RC)

- 26108 (Ø38)
- 26109 (Ø42)
- 26098 (Ø52)
- 26099 (Ø58)
- 26100 (Ø65)
- 26101 (Ø75)

- 82027 (Ø38) (X2)
- 82032 (Ø42) (X2)
- 82026 (Ø52) (X2)
- 82025 (Ø58) (X2)
- 82022 (Ø65) (X2)
- 82021 (Ø75) (X2)

- 78028 (Ø38) (X2)
- 78059 (Ø42) (X2)
- 78045 (Ø52/58) (X2)
- 78046 (Ø65/75) (X2)

- 38429 (Ø38)
- 38431 (Ø42)
- 38304 (Ø52)
- 38305 (Ø58)
- 38306 (Ø65)
- 38307 (Ø75)

- 75098 (Ø38) (X4)
- 75030 (Ø42) (X4)
- 75092 (Ø52) (X4)
- 75093 (Ø58) (X4)
- 75094 (Ø65) (X4)
- 75095 (Ø75) (X4)

STD= Standard
 RC= Rubber cap
 T= Thermal
 RCT= Rubber cap+thermal
 TE= Tempered

- 24149 (Ø38/42)
- 24131 (Ø52)
- 24132 (Ø58)
- 24133 (Ø65)
- 24134 (Ø75)
- 24156 (Ø38T/42T)
- 24138 (Ø52T)
- 24139 (Ø58T)
- 24140 (Ø65T)
- 24141 (Ø75T)

- 46062 (Ø38/42)
- 46063 (Ø52/58)
- 46064 (Ø65/75)

- 38433 (Ø38)
- 38434 (Ø42)
- 38308 (Ø52)
- 38309 (Ø58)
- 38310 (Ø65)
- 38311 (Ø75)

- 75050 (Ø 38/42)
- 75090 (Ø 52/58/65/75)

- 52023 (Ø 38/42)
- 52038 (Ø 52)
- 52024 (Ø 58/65/75)

- 32019 (Ø 38/42)
- 32028 (Ø 52)
- 32017 (Ø 58)
- 32016 (Ø 65)
- 32015 (Ø 75)

- 62012 (Ø 38/42)
- 62008 (Ø52/58/65/75)

- 58090 (Ø 38/42)
- 58023 (Ø 52/58/65/75)

- 38231 (Ø 38)
- 38328 (Ø 42)
- 38225 (Ø 52)
- 38219 (Ø 58)
- 38202 (Ø 65)
- 38203 (Ø 75)

- 62097.1 (Ø38/42/52/58)
- 62097 (Ø65/75)

- 46062 (Ø 38/42)
- 46063 (Ø 52/58/65/75)

- 58024.5 (Ø38/42)
- 58001.5 (Ø52/58/65/75)

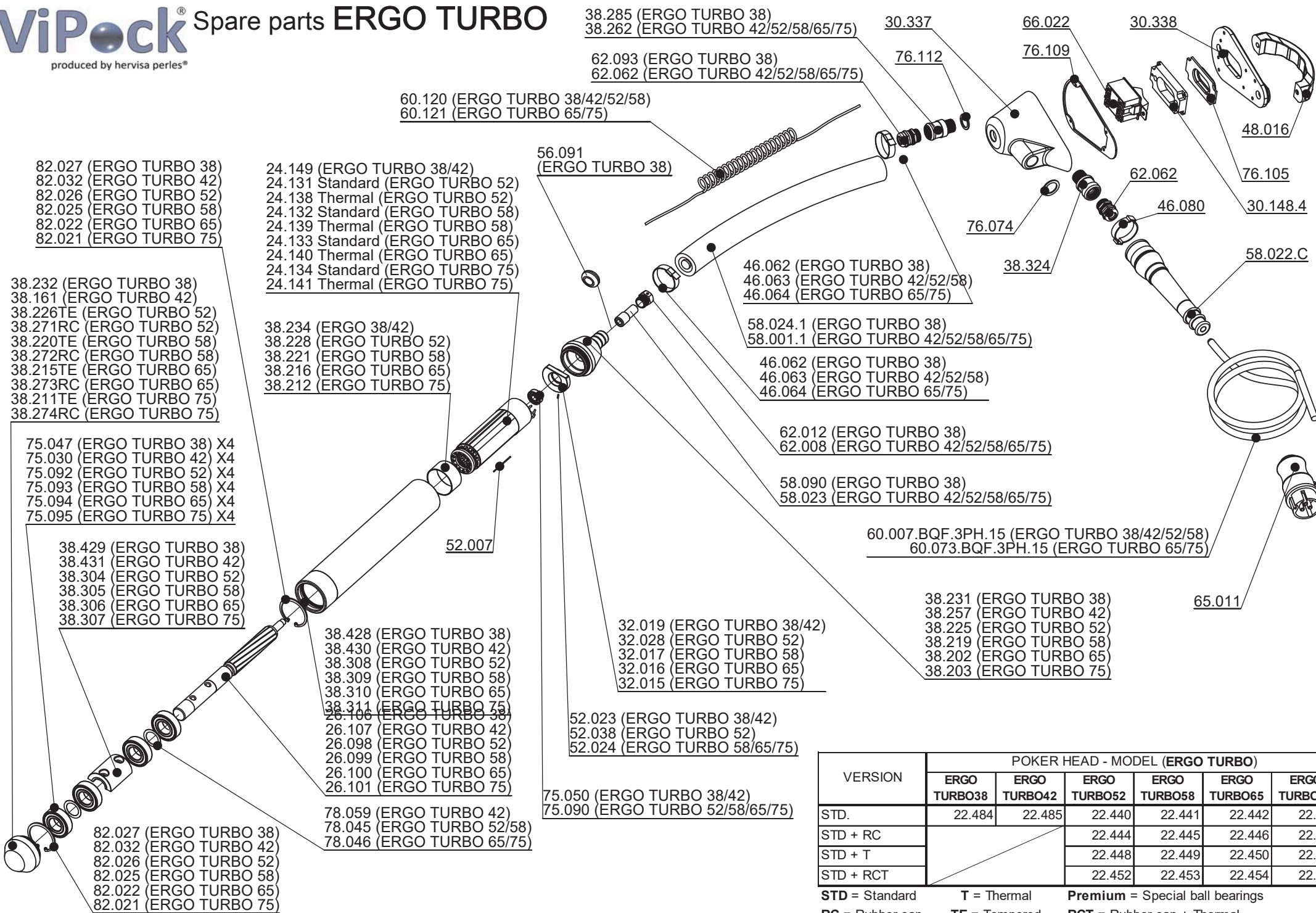
- 60007.BQF.3PH.10 (Ø38/42/52/58)
- 60073.BQF.3PH.10 (Ø65/75)

- 60006 (Ø38/42/52/58)
- 60087 (Ø65/75)

MODEL	TURBO VPN 38		TURBO VPN 42		TURBO VPN 52		TURBO VPN 58		TURBO VPN 65		TURBO VPN 75	
	POKER	BOTTLE	POKER	BOTTLE	POKER	BOTTLE	POKER	BOTTLE	POKER	BOTTLE	POKER	BOTTLE
STD	VIP10298	22484.3	VIP10299	22485.3	VIP10257	22440.3	VIP10258	22441.3	VIP10259	22442.3	VIP10260	22443.3
RC	VIP10484	22220.3	VIP10485	22221.3	VIP10261	22444.3	VIP10262	22445.3	VIP10263	22446.3	VIP10264	22447.3
T	VIP10288	22216.3	VIP10289	22217.3	VIP10290	22448.3	VIP10291	22449.3	VIP10292	22450.3	VIP10293	22451.3
RCT	VIP10486	22222.3	VIP10487	22223.3	VIP10294	22452.3	VIP10295	22453.3	VIP10296	22454.3	VIP10297	22455.3

ViPock® Spare parts ERGO TURBO

produced by hervisa perles®



- 82.027 (ERGO TURBO 38)
- 82.032 (ERGO TURBO 42)
- 82.026 (ERGO TURBO 52)
- 82.025 (ERGO TURBO 58)
- 82.022 (ERGO TURBO 65)
- 82.021 (ERGO TURBO 75)

- 24.149 (ERGO TURBO 38/42)
- 24.131 Standard (ERGO TURBO 52)
- 24.138 Thermal (ERGO TURBO 52)
- 24.132 Standard (ERGO TURBO 58)
- 24.139 Thermal (ERGO TURBO 58)
- 24.133 Standard (ERGO TURBO 65)
- 24.140 Thermal (ERGO TURBO 65)
- 24.134 Standard (ERGO TURBO 75)
- 24.141 Thermal (ERGO TURBO 75)

- 38.234 (ERGO 38/42)
- 38.228 (ERGO TURBO 52)
- 38.221 (ERGO TURBO 58)
- 38.216 (ERGO TURBO 65)
- 38.212 (ERGO TURBO 75)

- 38.232 (ERGO TURBO 38)
- 38.161 (ERGO TURBO 42)
- 38.226TE (ERGO TURBO 52)
- 38.271RC (ERGO TURBO 52)
- 38.220TE (ERGO TURBO 58)
- 38.272RC (ERGO TURBO 58)
- 38.215TE (ERGO TURBO 65)
- 38.273RC (ERGO TURBO 65)
- 38.211TE (ERGO TURBO 75)
- 38.274RC (ERGO TURBO 75)

- 75.047 (ERGO TURBO 38) X4
- 75.030 (ERGO TURBO 42) X4
- 75.092 (ERGO TURBO 52) X4
- 75.093 (ERGO TURBO 58) X4
- 75.094 (ERGO TURBO 65) X4
- 75.095 (ERGO TURBO 75) X4

- 38.429 (ERGO TURBO 38)
- 38.431 (ERGO TURBO 42)
- 38.304 (ERGO TURBO 52)
- 38.305 (ERGO TURBO 58)
- 38.306 (ERGO TURBO 65)
- 38.307 (ERGO TURBO 75)

- 38.428 (ERGO TURBO 38)
- 38.430 (ERGO TURBO 42)
- 38.308 (ERGO TURBO 52)
- 38.309 (ERGO TURBO 58)
- 38.310 (ERGO TURBO 65)
- 38.311 (ERGO TURBO 75)
- 26.106 (ERGO TURBO 38)
- 26.107 (ERGO TURBO 42)
- 26.098 (ERGO TURBO 52)
- 26.099 (ERGO TURBO 58)
- 26.100 (ERGO TURBO 65)
- 26.101 (ERGO TURBO 75)

- 78.059 (ERGO TURBO 42)
- 78.045 (ERGO TURBO 52/58)
- 78.046 (ERGO TURBO 65/75)

- 82.027 (ERGO TURBO 38)
- 82.032 (ERGO TURBO 42)
- 82.026 (ERGO TURBO 52)
- 82.025 (ERGO TURBO 58)
- 82.022 (ERGO TURBO 65)
- 82.021 (ERGO TURBO 75)

- 38.285 (ERGO TURBO 38)
- 38.262 (ERGO TURBO 42/52/58/65/75)

- 62.093 (ERGO TURBO 38)
- 62.062 (ERGO TURBO 42/52/58/65/75)

- 60.120 (ERGO TURBO 38/42/52/58)
- 60.121 (ERGO TURBO 65/75)

- 56.091 (ERGO TURBO 38)

- 46.062 (ERGO TURBO 38)
- 46.063 (ERGO TURBO 42/52/58)
- 46.064 (ERGO TURBO 65/75)

- 58.024.1 (ERGO TURBO 38)
- 58.001.1 (ERGO TURBO 42/52/58/65/75)

- 46.062 (ERGO TURBO 38)
- 46.063 (ERGO TURBO 42/52/58)
- 46.064 (ERGO TURBO 65/75)

- 62.012 (ERGO TURBO 38)
- 62.008 (ERGO TURBO 42/52/58/65/75)

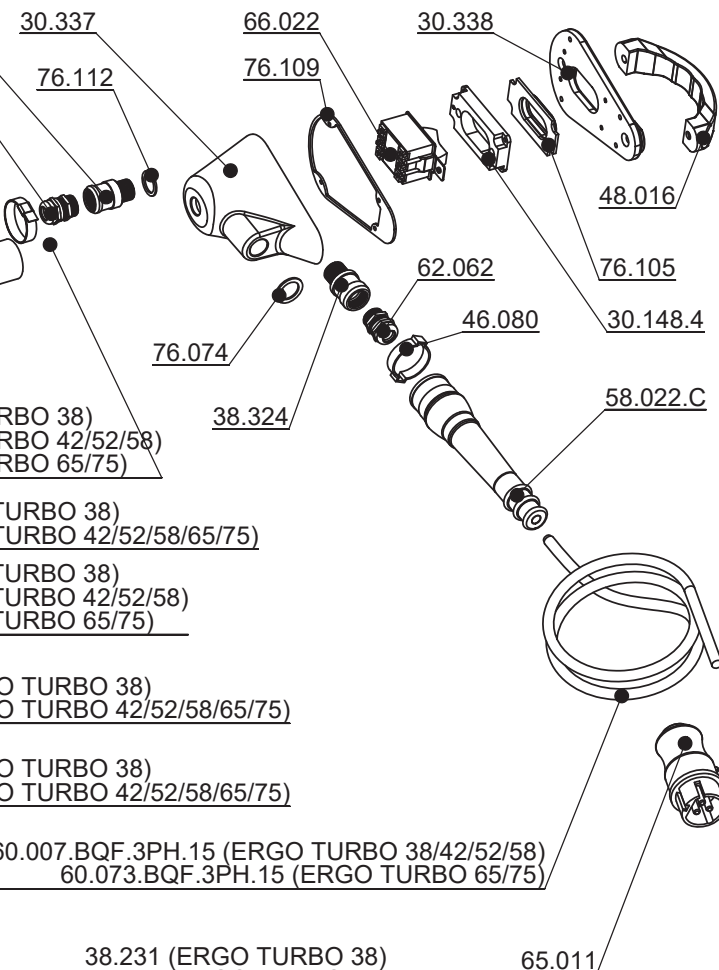
- 58.090 (ERGO TURBO 38)
- 58.023 (ERGO TURBO 42/52/58/65/75)

- 60.007.BQF.3PH.15 (ERGO TURBO 38/42/52/58)
- 60.073.BQF.3PH.15 (ERGO TURBO 65/75)

- 32.019 (ERGO TURBO 38/42)
- 32.028 (ERGO TURBO 52)
- 32.017 (ERGO TURBO 58)
- 32.016 (ERGO TURBO 65)
- 32.015 (ERGO TURBO 75)

- 52.023 (ERGO TURBO 38/42)
- 52.038 (ERGO TURBO 52)
- 52.024 (ERGO TURBO 58/65/75)

- 75.050 (ERGO TURBO 38/42)
- 75.090 (ERGO TURBO 52/58/65/75)

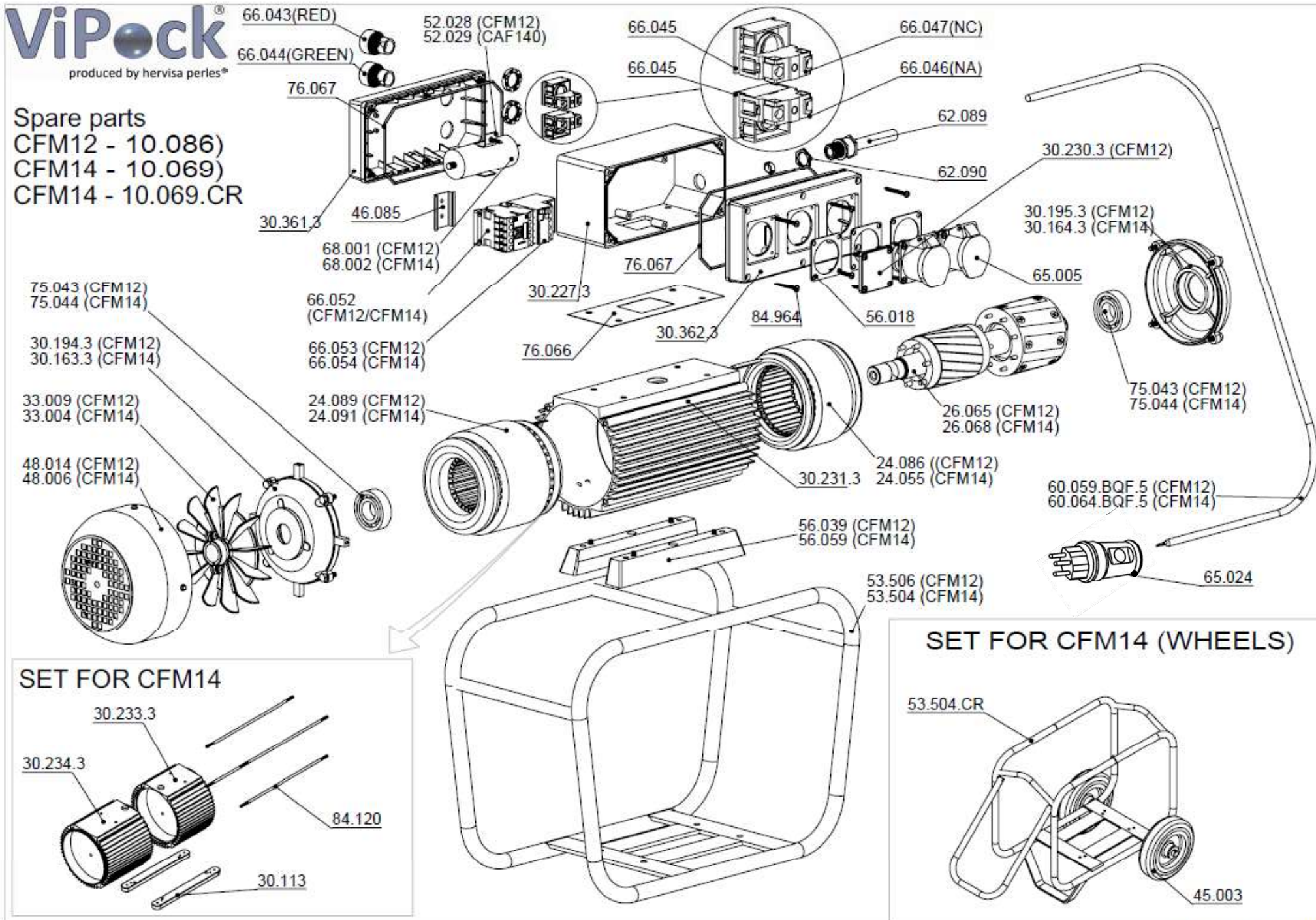


- 38.231 (ERGO TURBO 38)
- 38.257 (ERGO TURBO 42)
- 38.225 (ERGO TURBO 52)
- 38.219 (ERGO TURBO 58)
- 38.202 (ERGO TURBO 65)
- 38.203 (ERGO TURBO 75)

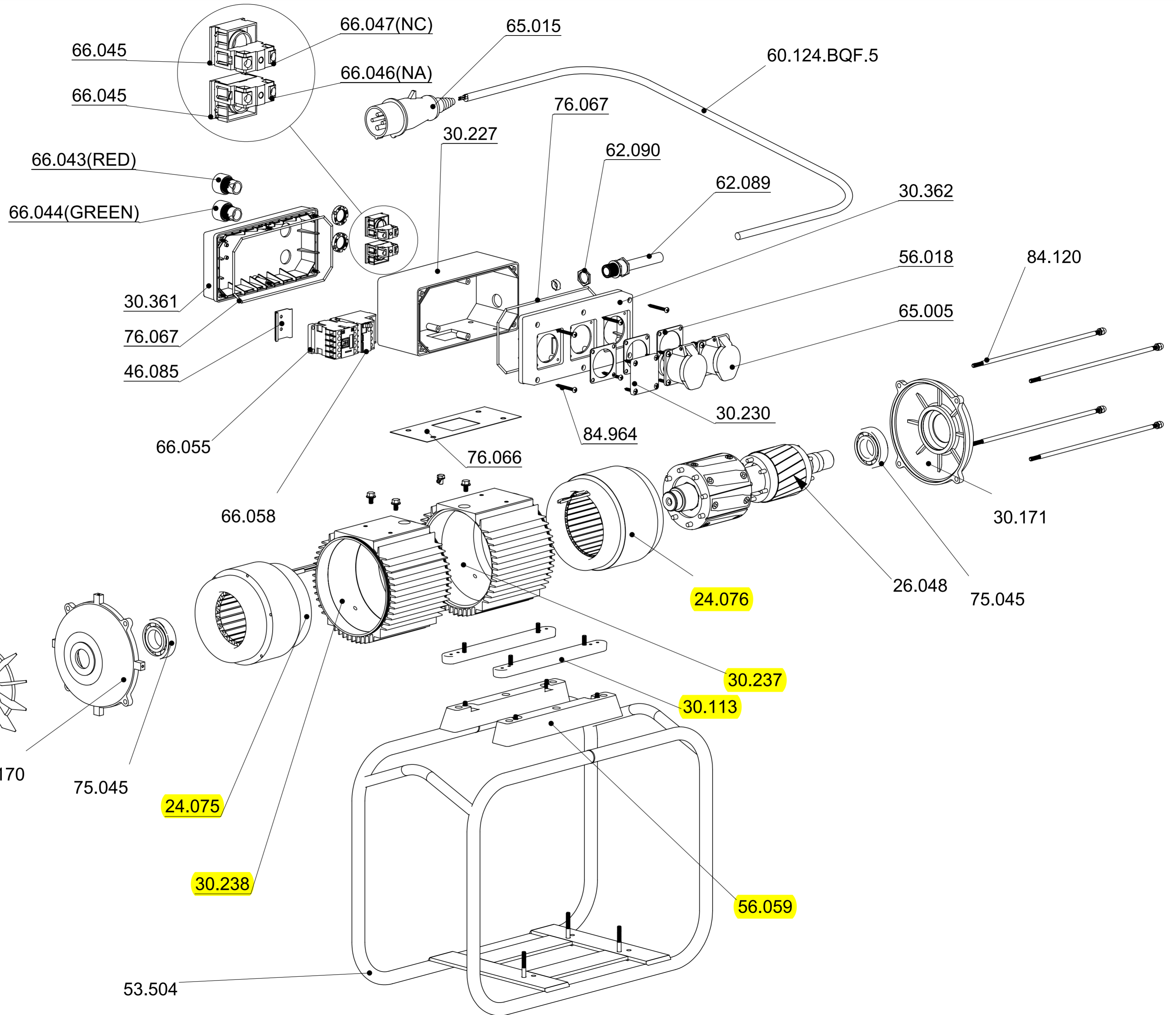
VERSION	POKER HEAD - MODEL (ERGO TURBO)					
	ERGO TURBO38	ERGO TURBO42	ERGO TURBO52	ERGO TURBO58	ERGO TURBO65	ERGO TURBO75
STD.	22.484	22.485	22.440	22.441	22.442	22.443
STD + RC			22.444	22.445	22.446	22.447
STD + T			22.448	22.449	22.450	22.451
STD + RCT			22.452	22.453	22.454	22.455

STD = Standard **T** = Thermal **Premium** = Special ball bearings
RC = Rubber cap **TE** = Tempered **RCT** = Rubber cap + Thermal

Spare parts
 CFM12 - 10.086)
 CFM14 - 10.069)
 CFM14 - 10.069.CR

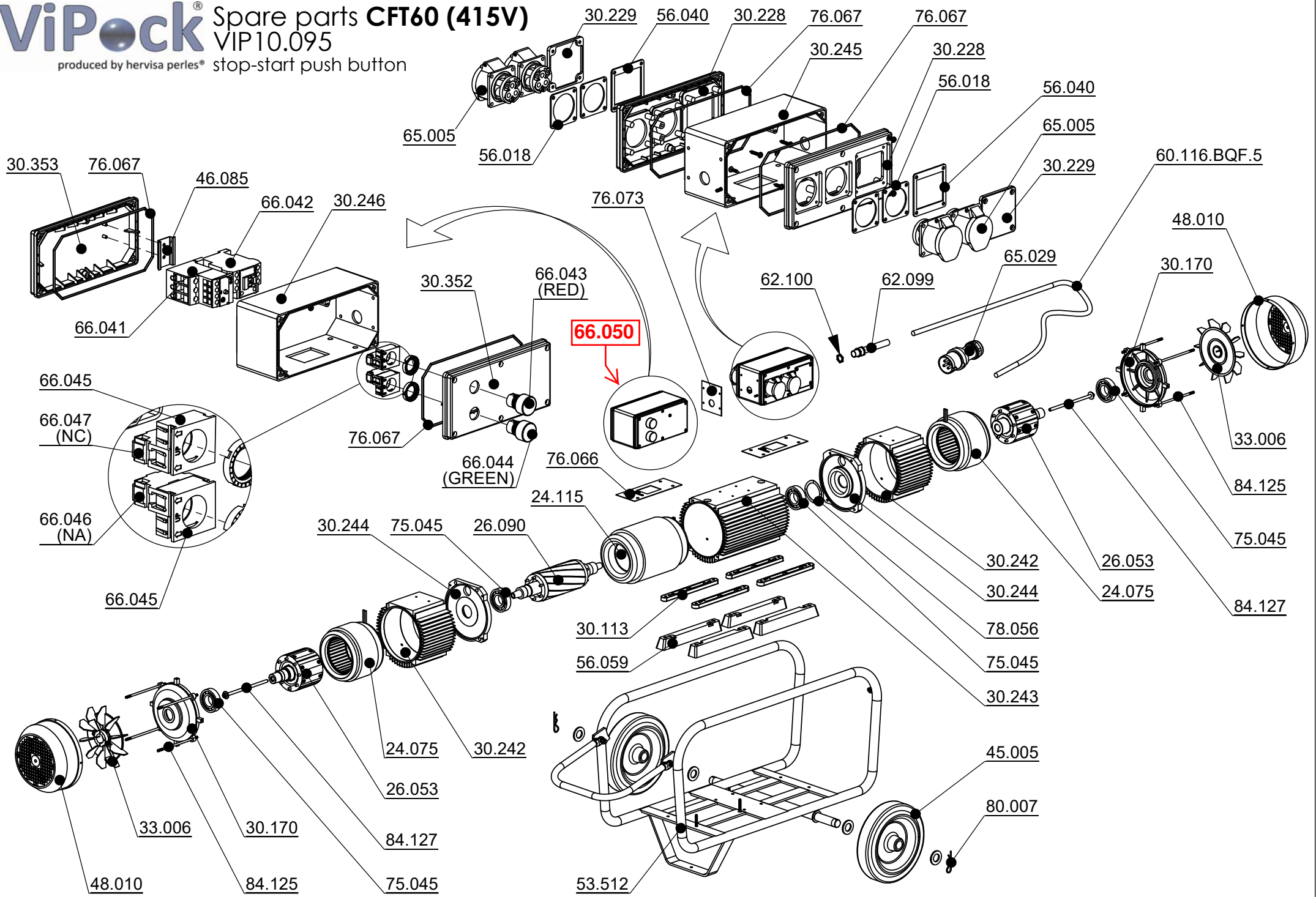


Spare parts CFT 25 Ref.-VIP10.043



ViPock® Spare parts CFT60 (415V)

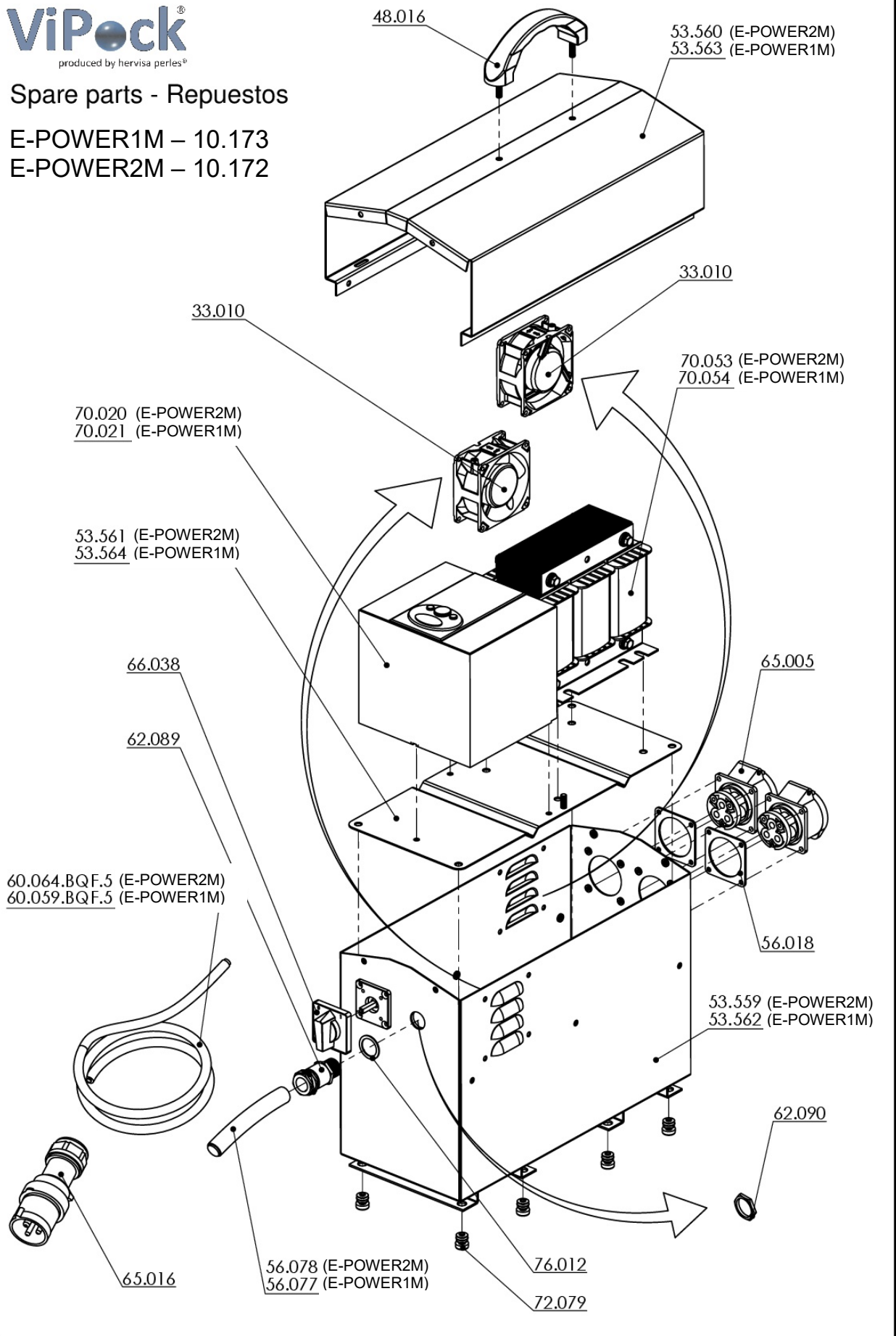
VIP10.095
produced by hervisa perles® stop-start push button



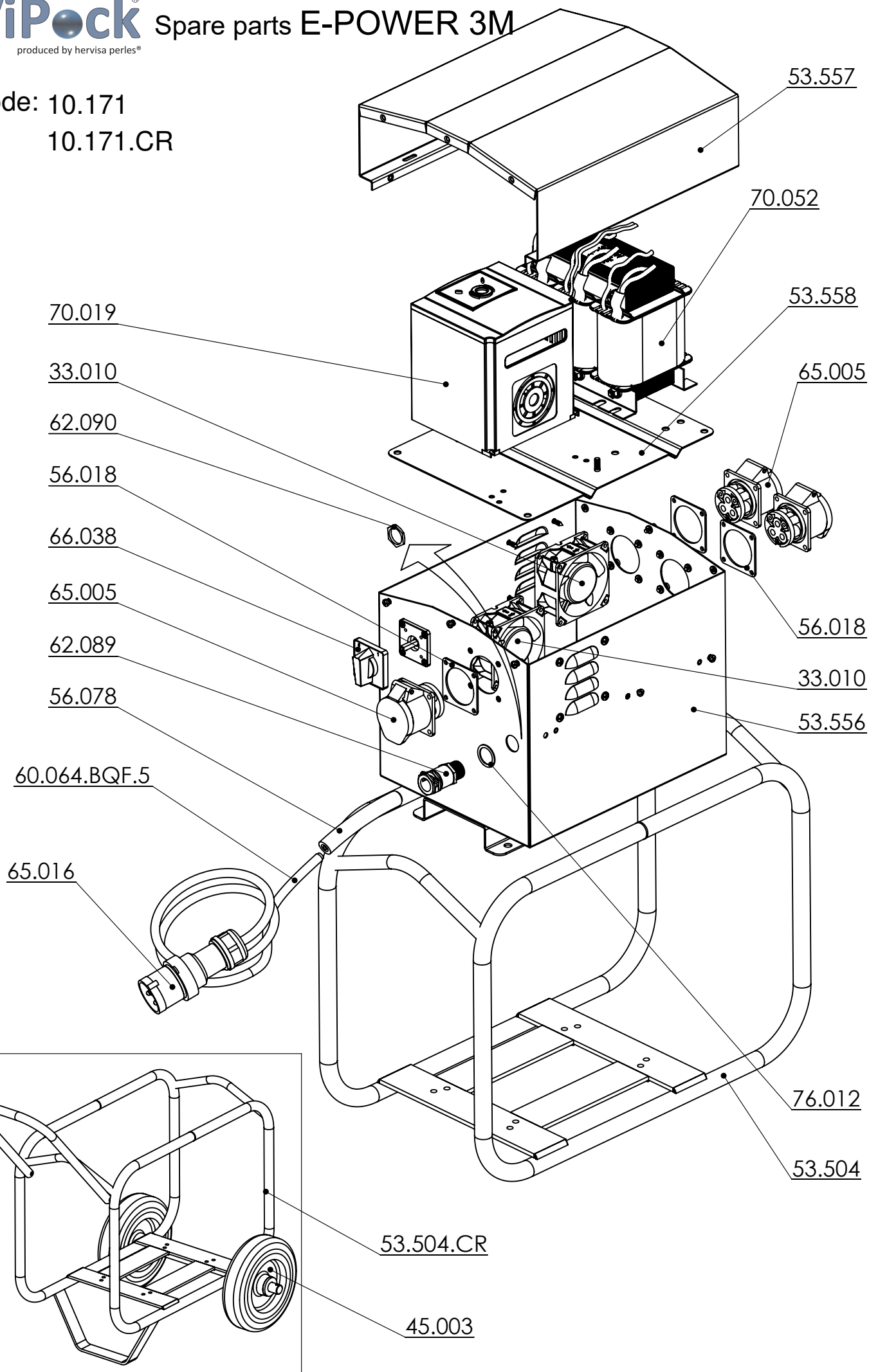
Spare parts - Repuestos

E-POWER1M – 10.173

E-POWER2M – 10.172



Code: 10.171
 10.171.CR



ViPock®

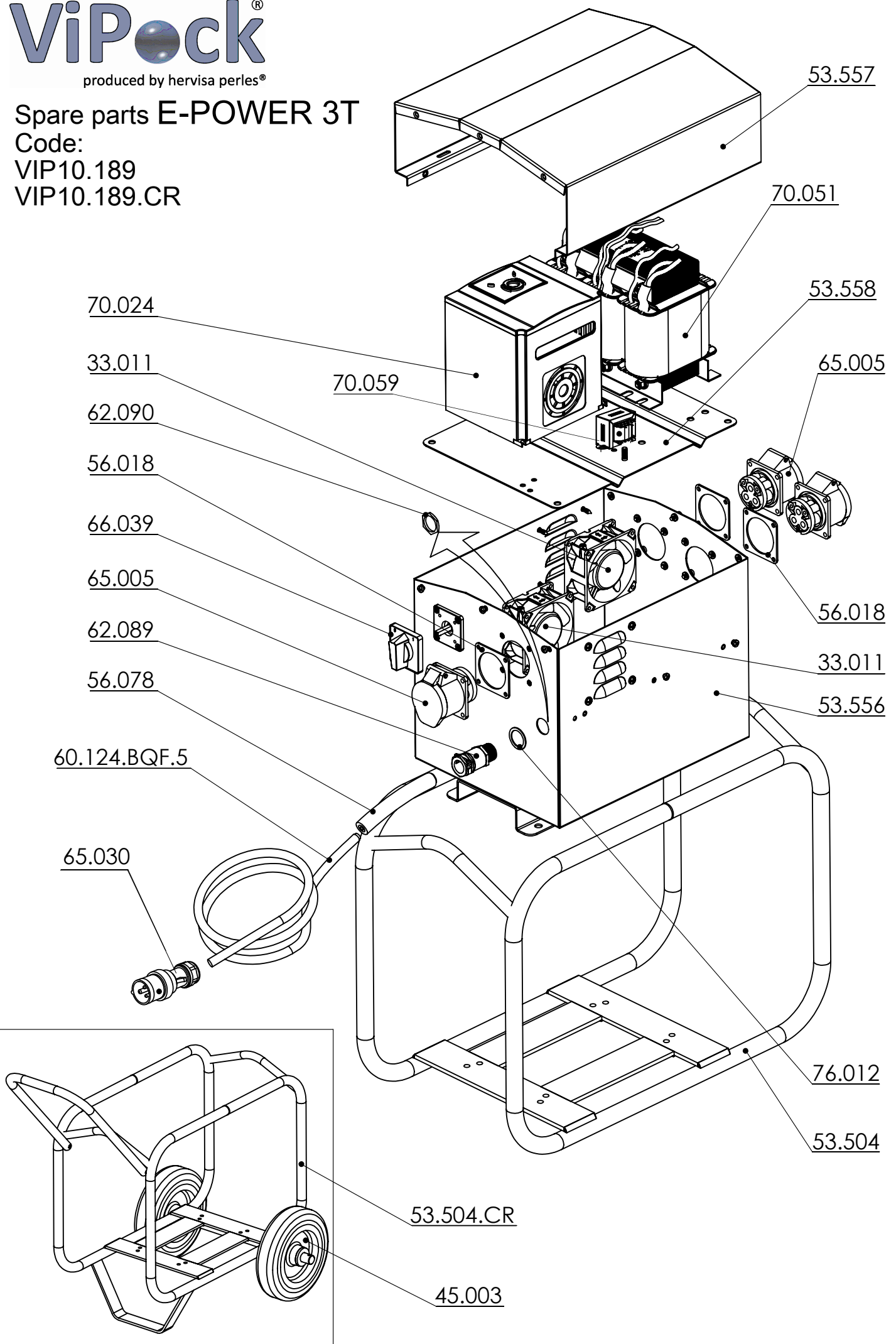
produced by hervisa perles®

Spare parts E-POWER 3T

Code:

VIP10.189

VIP10.189.CR



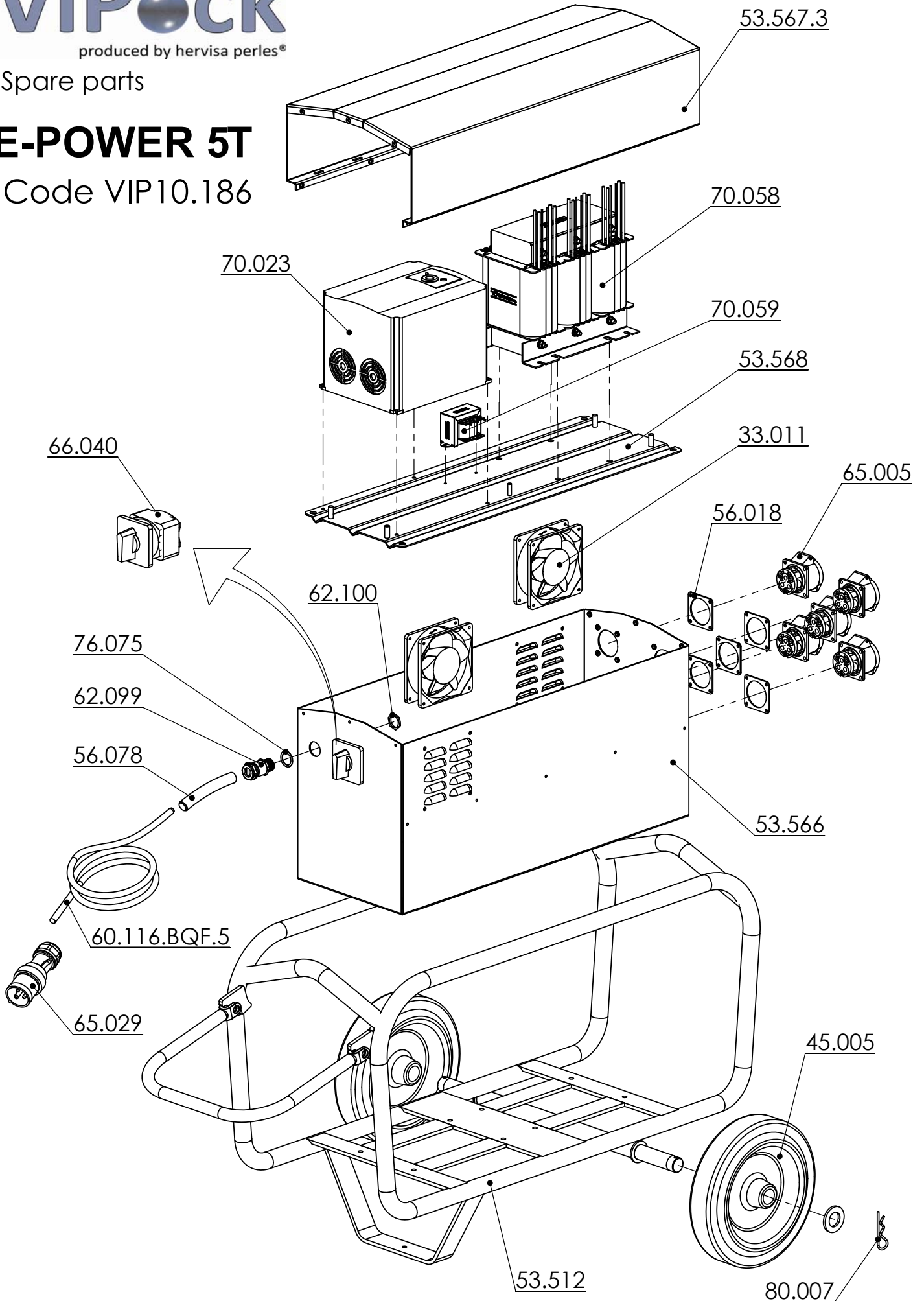
ViPock[®]

produced by hervisa perles[®]

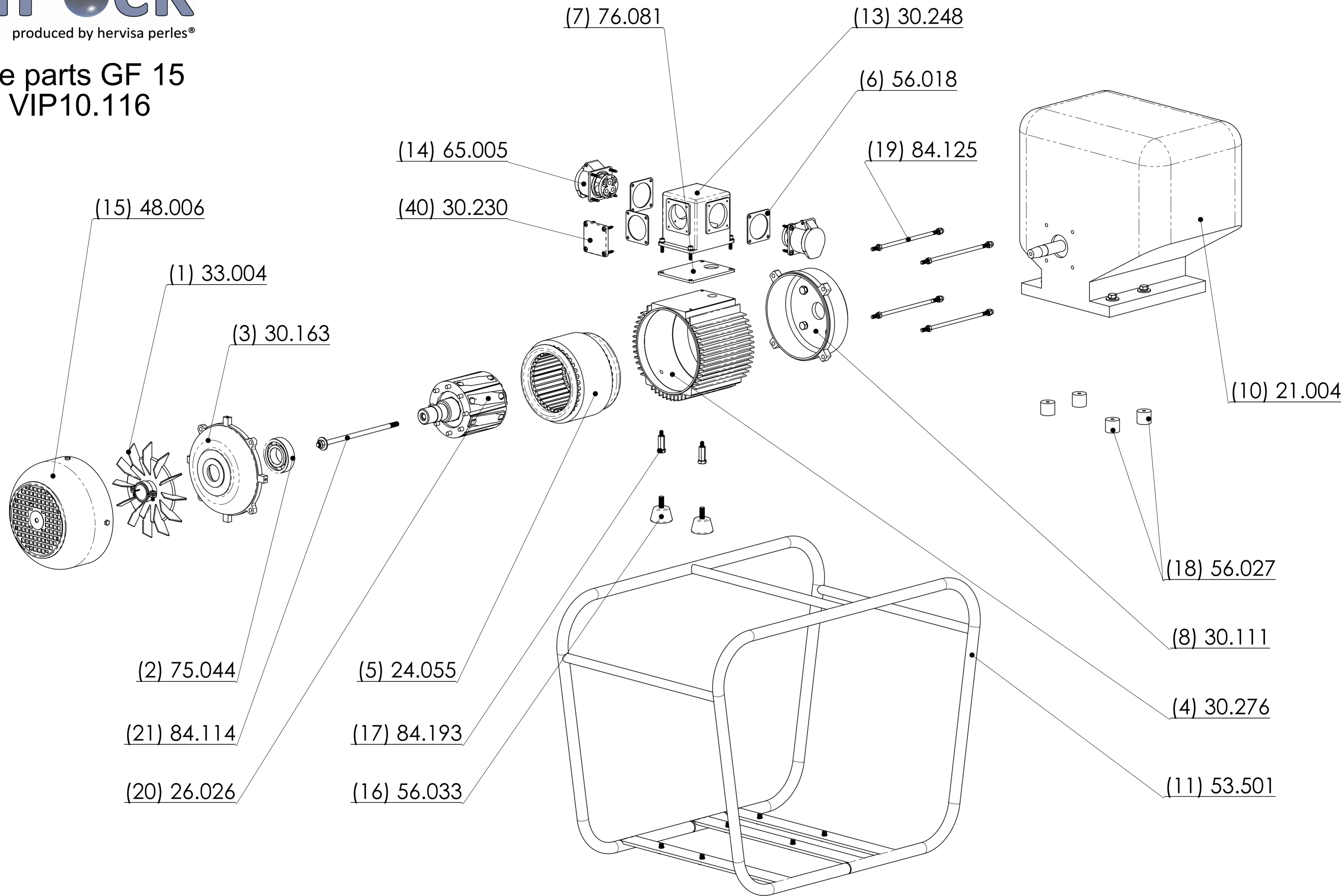
Spare parts

E-POWER 5T

Code VIP10.186



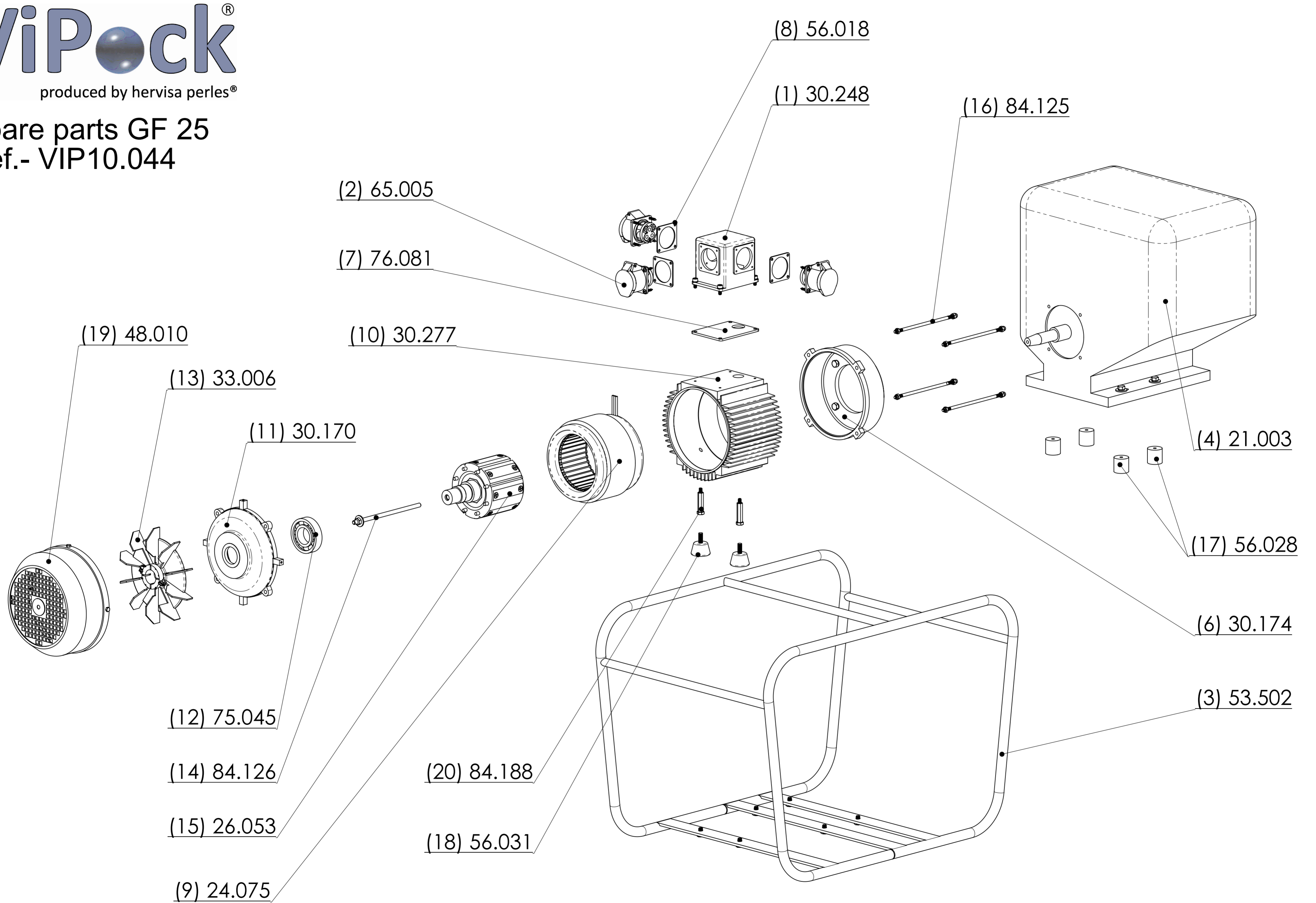
Spare parts GF 15 Ref.- VIP10.116



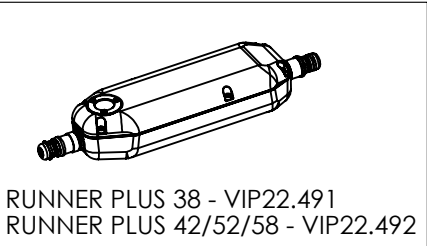
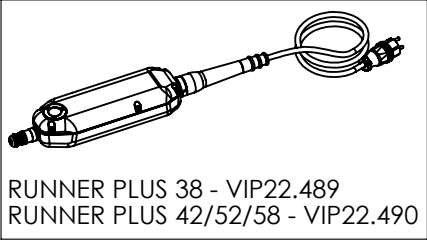
ViPock®

produced by hervisa perles®

Spare parts GF 25
Ref.- VIP10.044

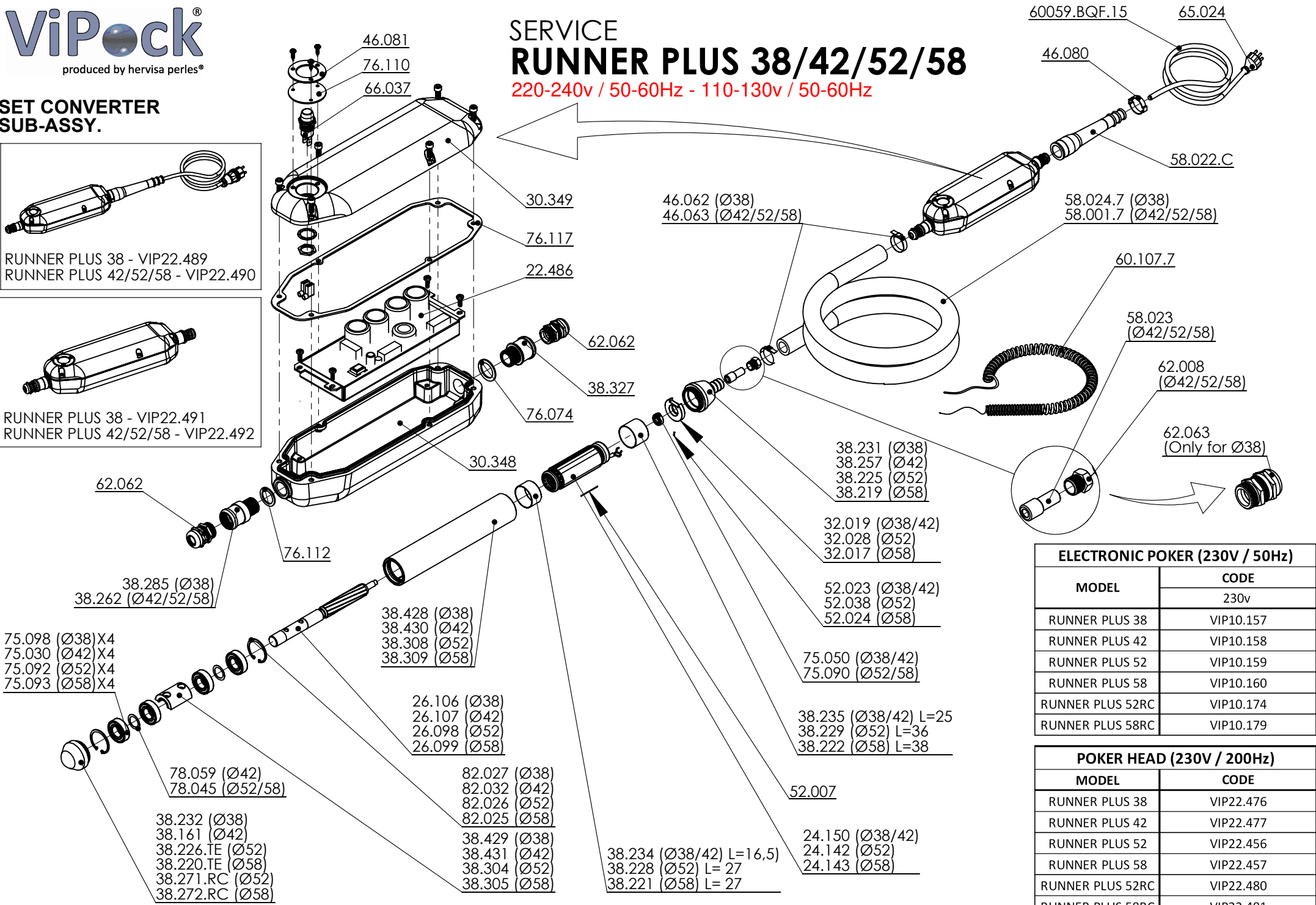


SET CONVERTER SUB-ASSY.



SERVICE RUNNER PLUS 38/42/52/58

220-240v / 50-60Hz - 110-130v / 50-60Hz



ELECTRONIC POKER (230V / 50Hz)	
MODEL	CODE
	230v
RUNNER PLUS 38	VIP10.157
RUNNER PLUS 42	VIP10.158
RUNNER PLUS 52	VIP10.159
RUNNER PLUS 58	VIP10.160
RUNNER PLUS 52RC	VIP10.174
RUNNER PLUS 58RC	VIP10.179

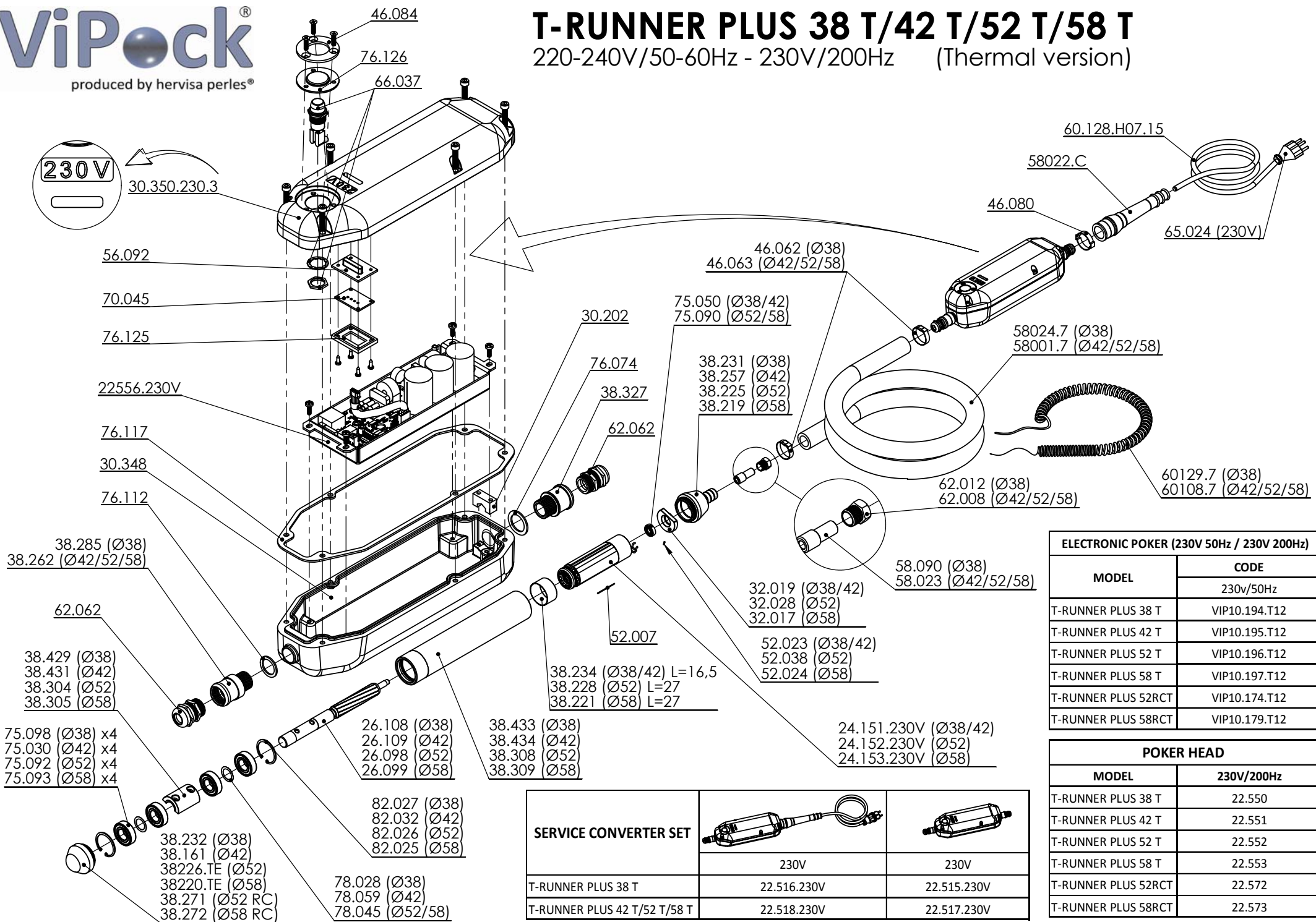
POKER HEAD (230V / 200Hz)	
MODEL	CODE
	RUNNER PLUS 38
RUNNER PLUS 42	VIP22.477
RUNNER PLUS 52	VIP22.456
RUNNER PLUS 58	VIP22.457
RUNNER PLUS 52RC	VIP22.480
RUNNER PLUS 58RC	VIP22.481

ViPock®

produced by hervisa perles®


T-RUNNER PLUS 38 T/42 T/52 T/58 T

220-240V/50-60Hz - 230V/200Hz (Thermal version)



ELECTRONIC POKER (230V 50Hz / 230V 200Hz)	
MODEL	CODE
	230v/50Hz
T-RUNNER PLUS 38 T	VIP10.194.T12
T-RUNNER PLUS 42 T	VIP10.195.T12
T-RUNNER PLUS 52 T	VIP10.196.T12
T-RUNNER PLUS 58 T	VIP10.197.T12
T-RUNNER PLUS 52RCT	VIP10.174.T12
T-RUNNER PLUS 58RCT	VIP10.179.T12

POKER HEAD	
MODEL	230V/200Hz
T-RUNNER PLUS 38 T	22.550
T-RUNNER PLUS 42 T	22.551
T-RUNNER PLUS 52 T	22.552
T-RUNNER PLUS 58 T	22.553
T-RUNNER PLUS 52RCT	22.572
T-RUNNER PLUS 58RCT	22.573

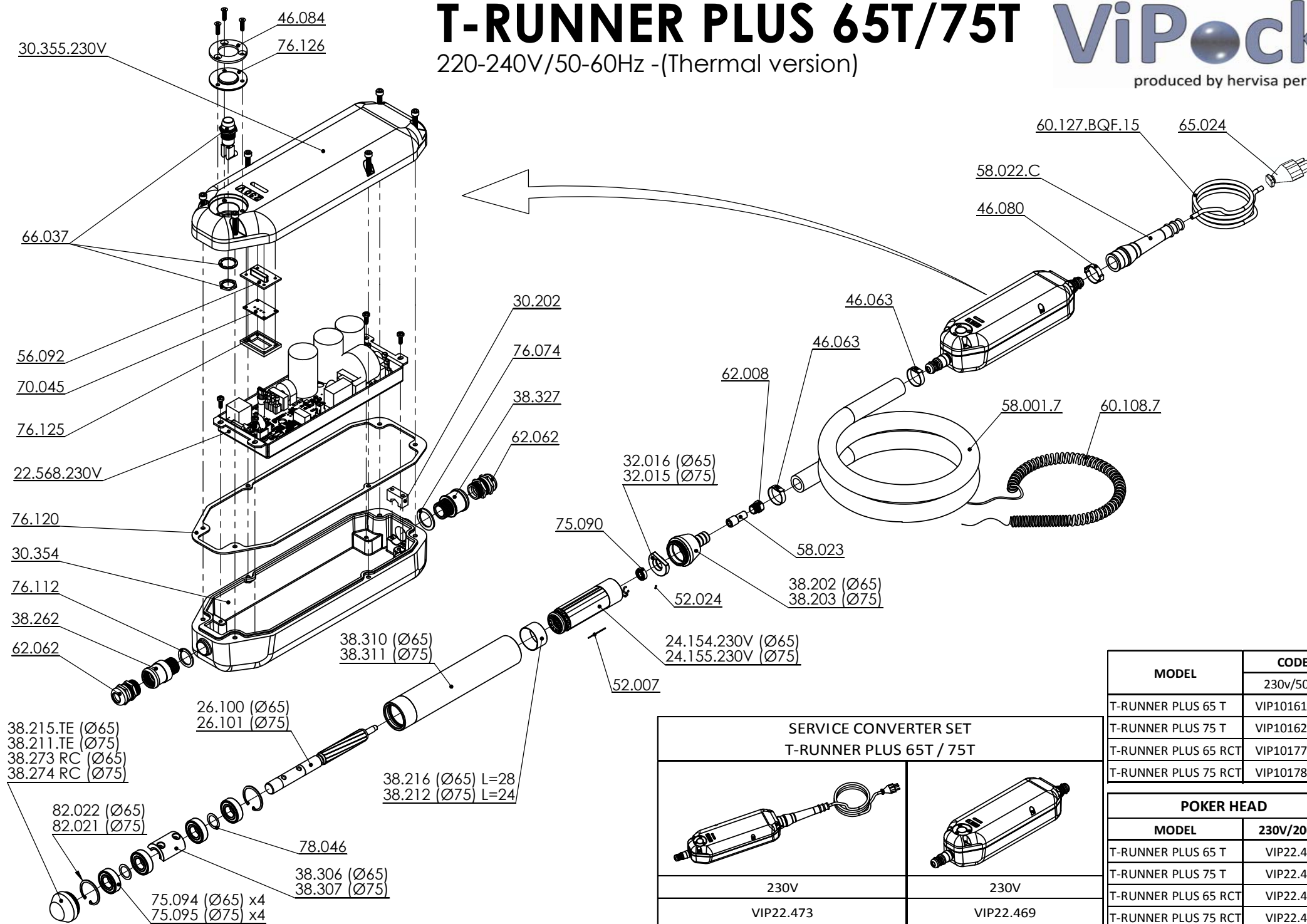
SERVICE CONVERTER SET		
	230V	230V
T-RUNNER PLUS 38 T	22.516.230V	22.515.230V
T-RUNNER PLUS 42 T/52 T/58 T	22.518.230V	22.517.230V

T-RUNNER PLUS 65T/75T

220-240V/50-60Hz -(Thermal version)

ViPock®

produced by hervisa perles®



SERVICE CONVERTER SET T-RUNNER PLUS 65T / 75T

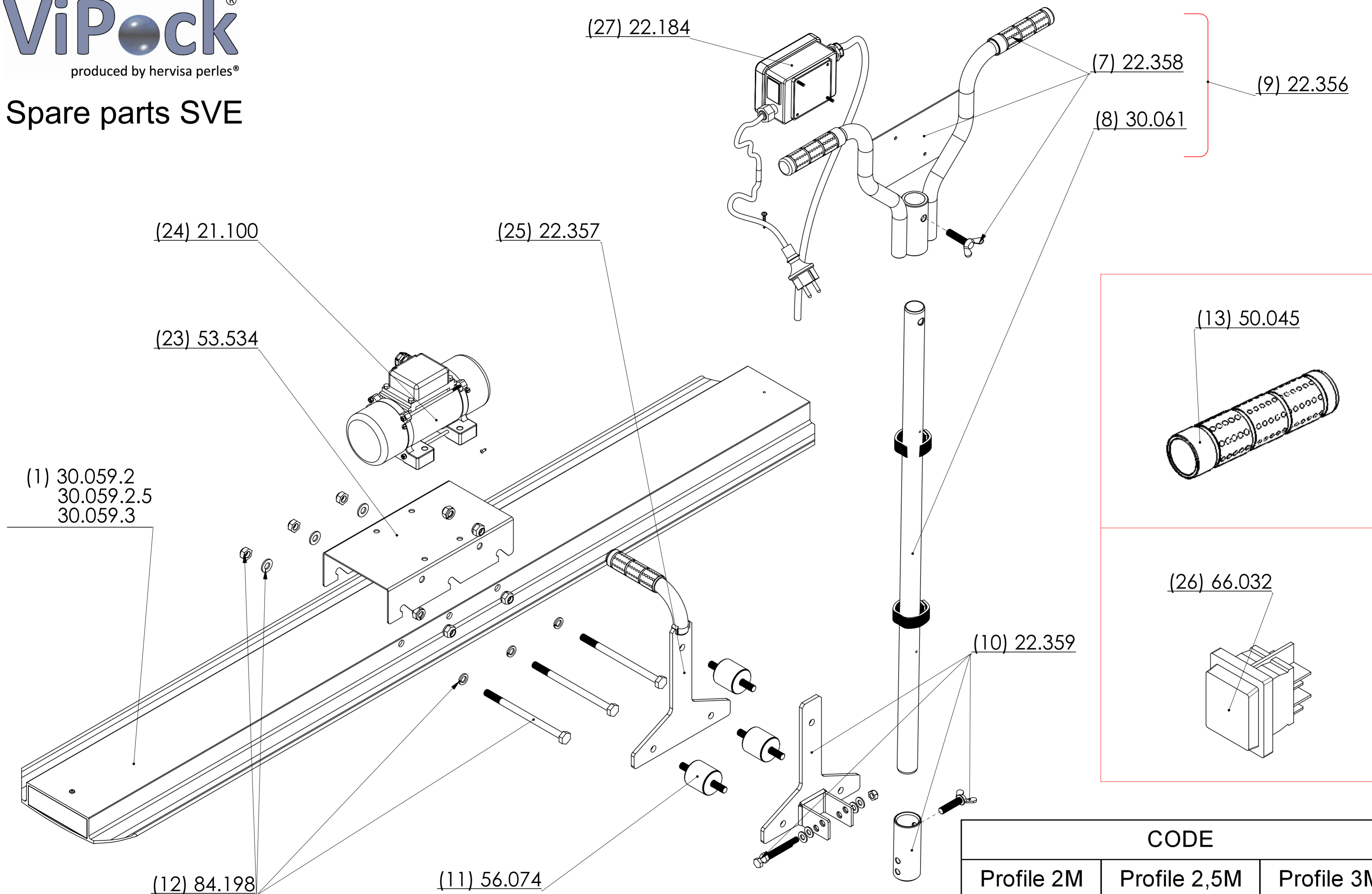
230V VIP22.473	230V VIP22.469

MODEL	CODE
	230v/50Hz
T-RUNNER PLUS 65 T	VIP10161.T12
T-RUNNER PLUS 75 T	VIP10162.T12
T-RUNNER PLUS 65 RCT	VIP10177.T12
T-RUNNER PLUS 75 RCT	VIP10178.T12

POKER HEAD

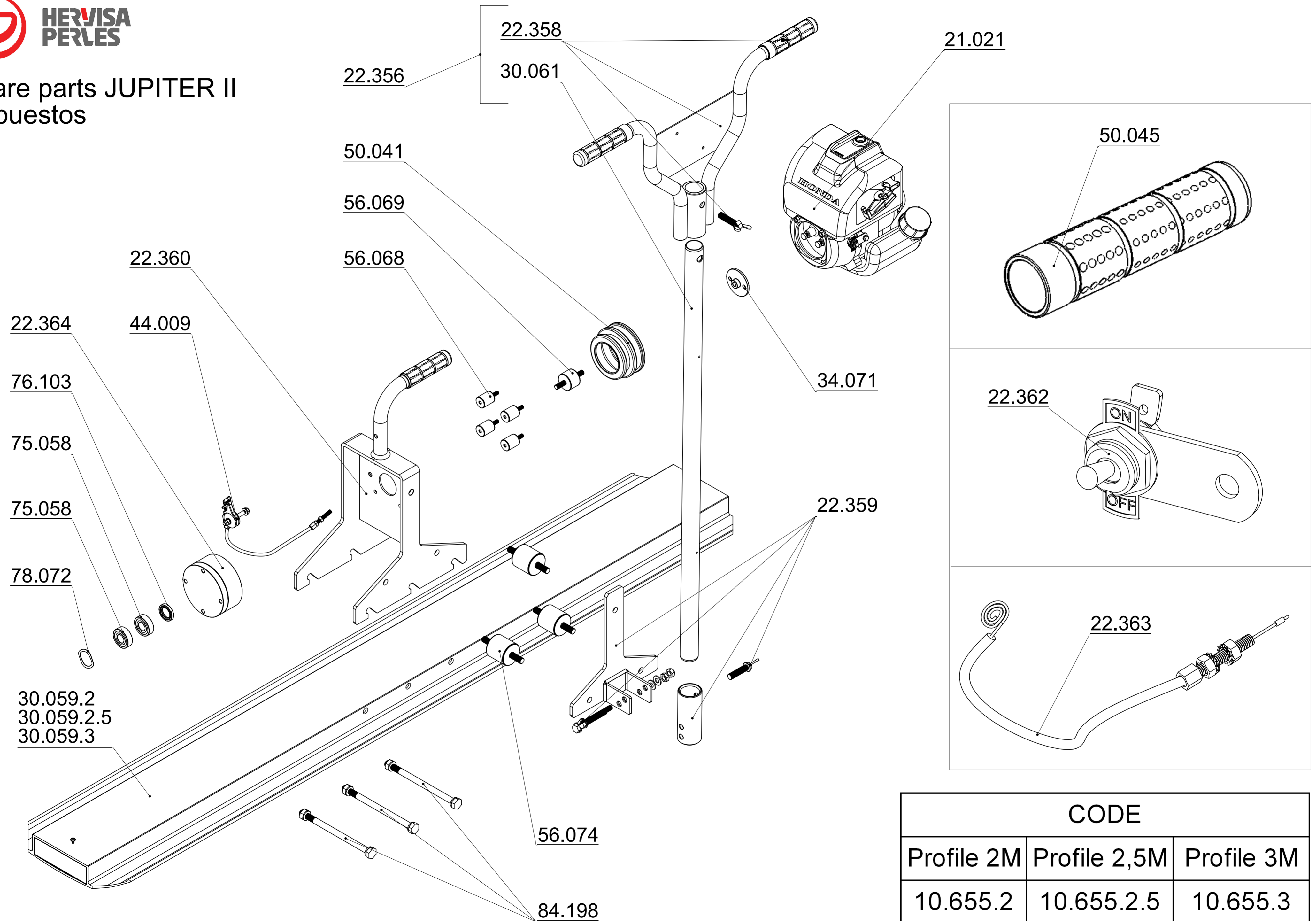
MODEL	230V/200Hz
T-RUNNER PLUS 65 T	VIP22.466
T-RUNNER PLUS 75 T	VIP22.467
T-RUNNER PLUS 65 RCT	VIP22.482
T-RUNNER PLUS 75 RCT	VIP22.483

Spare parts SVE



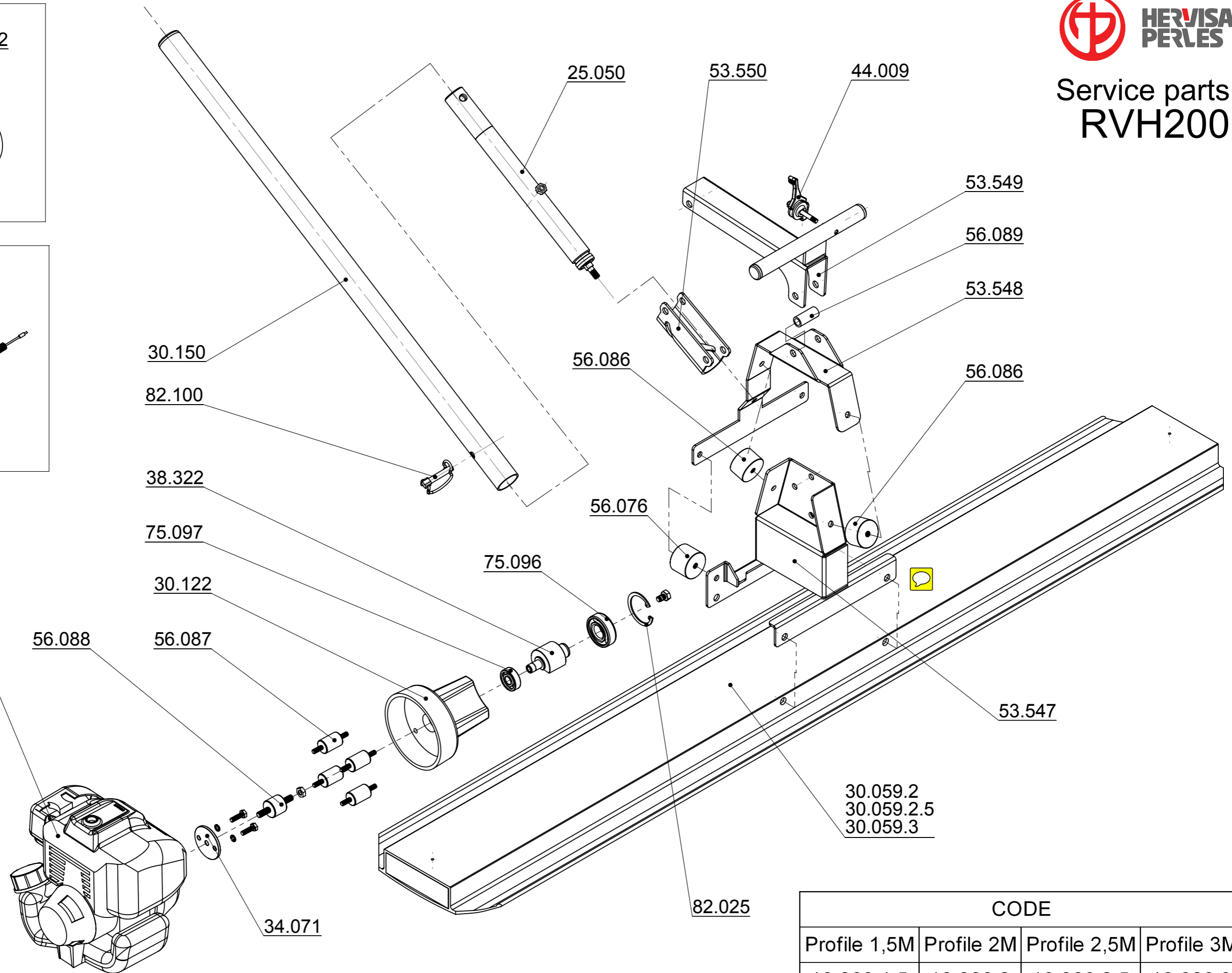
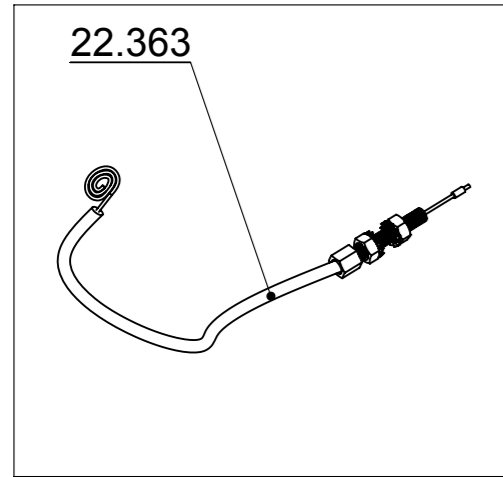
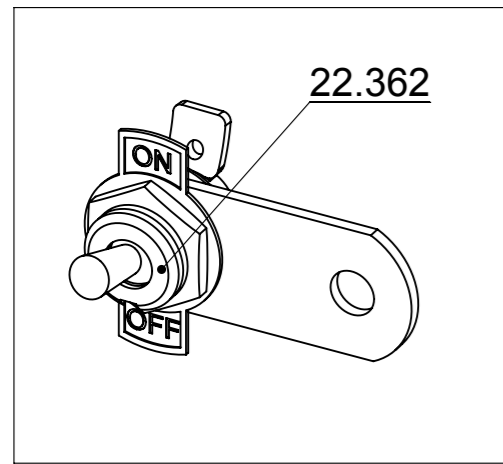
CODE		
Profile 2M	Profile 2,5M	Profile 3M
VIP10.654.2	VIP10.654.2.5	VIP10.654.3

Spare parts JUPITER II
Repuestos



CODE		
Profile 2M	Profile 2,5M	Profile 3M
10.655.2	10.655.2.5	10.655.3

Service parts RVH200



CODE			
Profile 1,5M	Profile 2M	Profile 2,5M	Profile 3M
10.660.1.5	10.660.2	10.660.2.5	10.660.3